



PARTS CATALOG

Published

2008/7 (Jul.)

0CNP2-G24500

CONTENTS

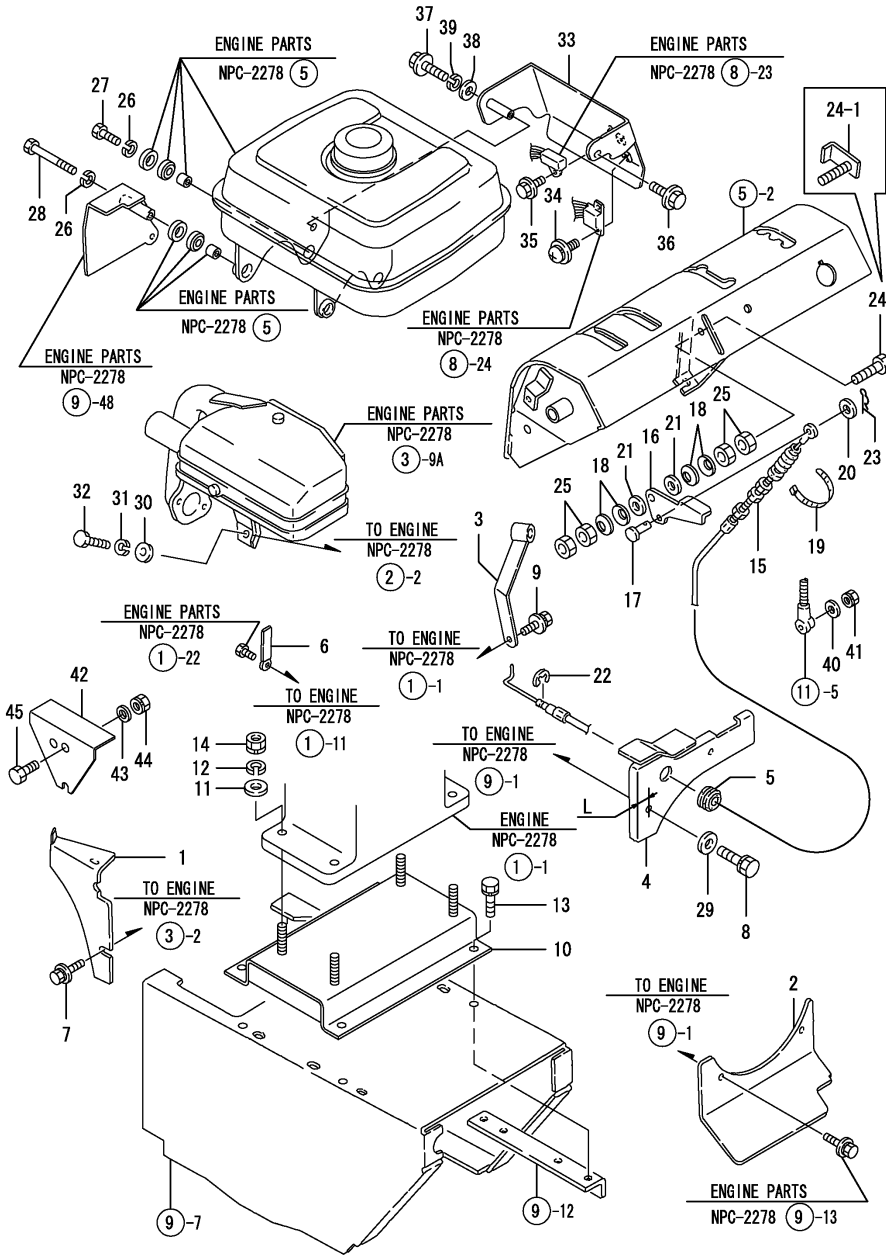
MODEL : YSR980TV(
PC NO : 0CNP2-G24500

Fig.No.	GROUP NAME
	DRIVE & TRAVEL SECTION
1.	ENGIN MOUNTING
2.	TRAVEL CLUTCH
3.	BELT DRIVE
4.	TRAVEL DRIVE
	CONTROL SECTION
5.	HANDLE
6.	CLUTCH CONTROL
7.	CHANGE CONTROL
8.	SNOW THROW UP CONTROL
9.	CHASSIS
10.	CRAWLER
	ELECTRICAL PARTS SECTION
11.	BATTERY
12.	SWITCH & HARNESS
13.	LAMP
14.	SNOW REMOVING FRAME
	SNOW REMOVING SECTION
15.	CHUTE
16.	GEAR CASE
17.	AUGER
	LABEL SECTION
18.	MARKS
	ACCESSORIES SECTION
19.	TOOLS & ACCESSORIES

Fig.No.	GROUP NAME
	LABEL SECTION
20.	LABELS(SAFETY(ADDNL.ITEM))

Fig.1. ENGINE MOUNTING

(A)=YSR980TV
 (B)=YSR980TSV
 (C)=YSR980TV-FL
 (D)=YSR980TSV-FL
 (E)=
 (F)=

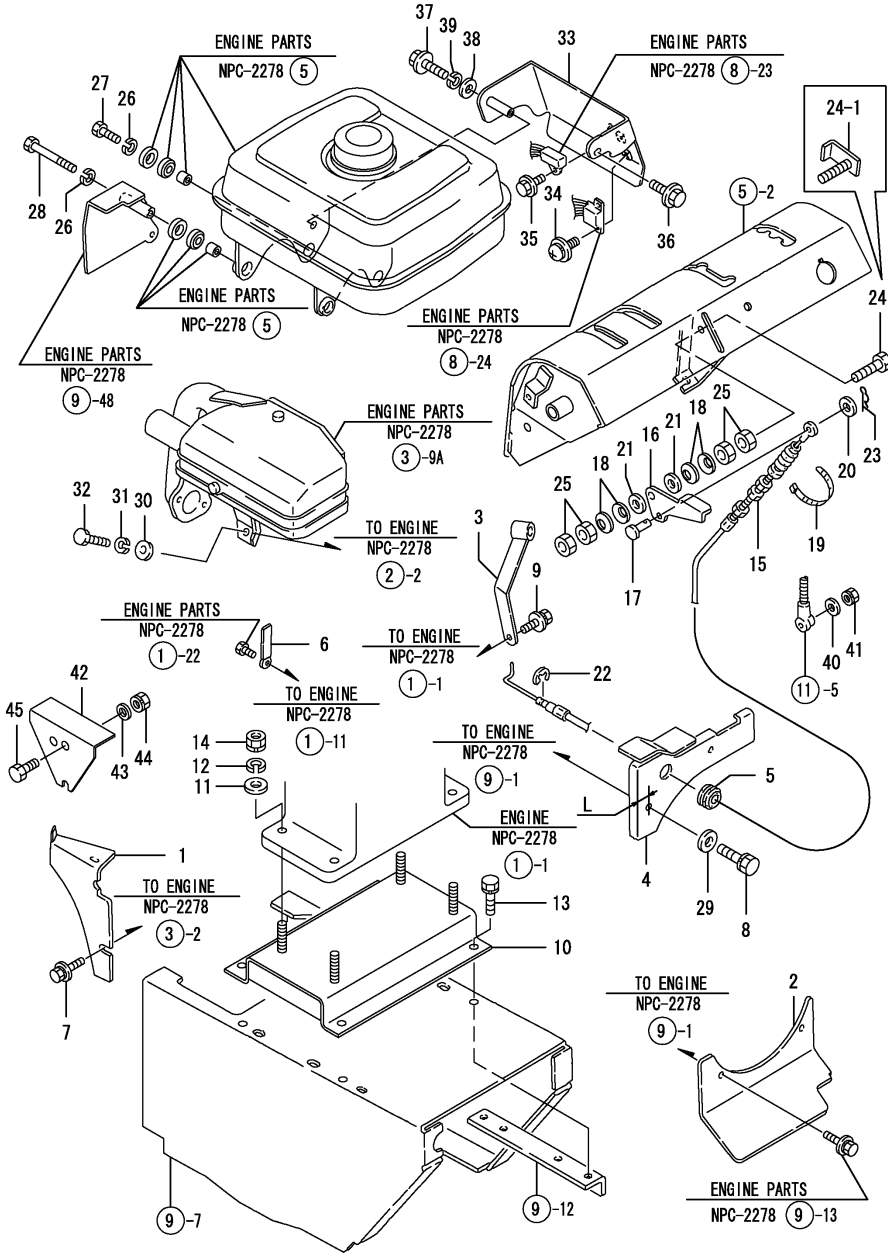


Remarks
 (1) L= REF.NO.4 16M/M, 4-1 10M/M.

REF.	LEV.	PARTS NO.	DESCRIPTION	QTY						I	R
				(A)	(B)	(C)	(D)	(E)	(F)		
1	1	1N1723-00060	COVER B,AUXILIARY	1	1						
1-1	1	1N1723-00061	COVER B,AMXILIARY	1	1	1	1				N
		(A=F010001) (B=F010001)									
2	1	1N1723-00200	COVER,COIL	1	1						
2-1	1	1N1723-00201	COVER,RECOIL	1	1	1	1				N
		(A=F010001) (B=F010121)									
3	1	1N1723-00300	GUIDE,HANDLE	1	1						
3-1	1	1N1723-00301	GUIDE,HANDLE	1	1	1	1				N
		(A=F010093) (B=F010310)									
4	1	1N1723-00330	COVER A,AUXILIARY	1	1	1	1				
4-1	1	1N1723-00331	COVER	1	1	1	1				S 1
		(A=SEE NOTE) (B=SEE NOTE) (C=SEE NOTE) (D=SEE NOTE)									
5	1	1N1723-00350	GROMMET BG-12-1	1	1	1	1				
6	1	1N1710-32600	CLAMP 8X70	1	1	1	1				
7	1	26018-060124	BOLT M 6X 12	2	2	2	2				
8	1	26018-060204	BOLT M 6X 20	2	2						
8-1	1	26016-060204	BOLT M 6X 20	2	2	2	2				N
		(A=F010001) (B=F010121)									
9	1	26018-080164	BOLT M 8X 16	1	1	1	1				
10	1	1N1723-01000	BASE,ENGINE	1	1	1	1				
11	1	22137-100000	WASHER 10,POLISHED	4	4	4	4				
12	1	22217-100000	SPRING WASHER 10	4	4	4	4				
13	1	26016-100254	BOLT M10X 25	4	4	4	4				
14	1	26717-100002	NUT M10	4	4	4	4				
15	1	1N1723-02000	WIRE,ACCELERATOR	1	1						
15-1	1	1N1723-02001	WIRE, ACCELE	1	1	1	1				N
		(A=F010001) (B=F010121)									
16	1	1N1723-02010	LEVER,ACCELERATOR	1	1	1	1				
17	1	1N1711-32330	PIN 6X12,FLAT HEAD	1	1	1	1				
18	1	1N1570-51130	SPRING,BELLEVILLE	4	4	4	4				
19	1	1E6460-83400	BAND 100	1	1	1	1				
20	1	22117-080000	WASHER 8	1	1						
20-1	1	22117-060000	WASHER 6	1	1	1	1				S
		(A=F010001) (B=F010001)									
21	1	22137-080000	WASHER 8, POLISHED	2	2	2	2				
22	1	22272-000050	CIRCLIP E- 5	1	1	1	1				
23	1	22372-060000	SNAP PIN 6	1	1	1	1				
24	1	26117-080404	BOLT M 8X 40 PLATED	1	1						
24-1	1	1N1723-02020	FULCRUM,ACCEL.LEVER	1	1	1	1				N
		(A=F010001) (B=F010121)									
25	1	26717-080002	NUT 8	4	4	4	4				
26	1	22217-060000	SPRING WASHER 6	4	4	4	4				W
		(A=F010001) (B=F010001)									
27	1	26116-060254	BOLT M 6X 25 PLATED	3	3	3	3				W
		(A=F010001) (B=F010001)									
28	1	26116-060702	BOLT M 6X 70 PLATED	1	1	1	1				W
		(A=F010001) (B=F010001)									
29	1	1J3999-02010	WASHER 6	2	2	2	2				W
		(A=F010001) (B=F010121)									
30	1	22137-060000	WASHER 6, POLISHED	1	1	1	1				W
		(A=F010001) (B=F010121)									

Fig.1. ENGINE MOUNTING

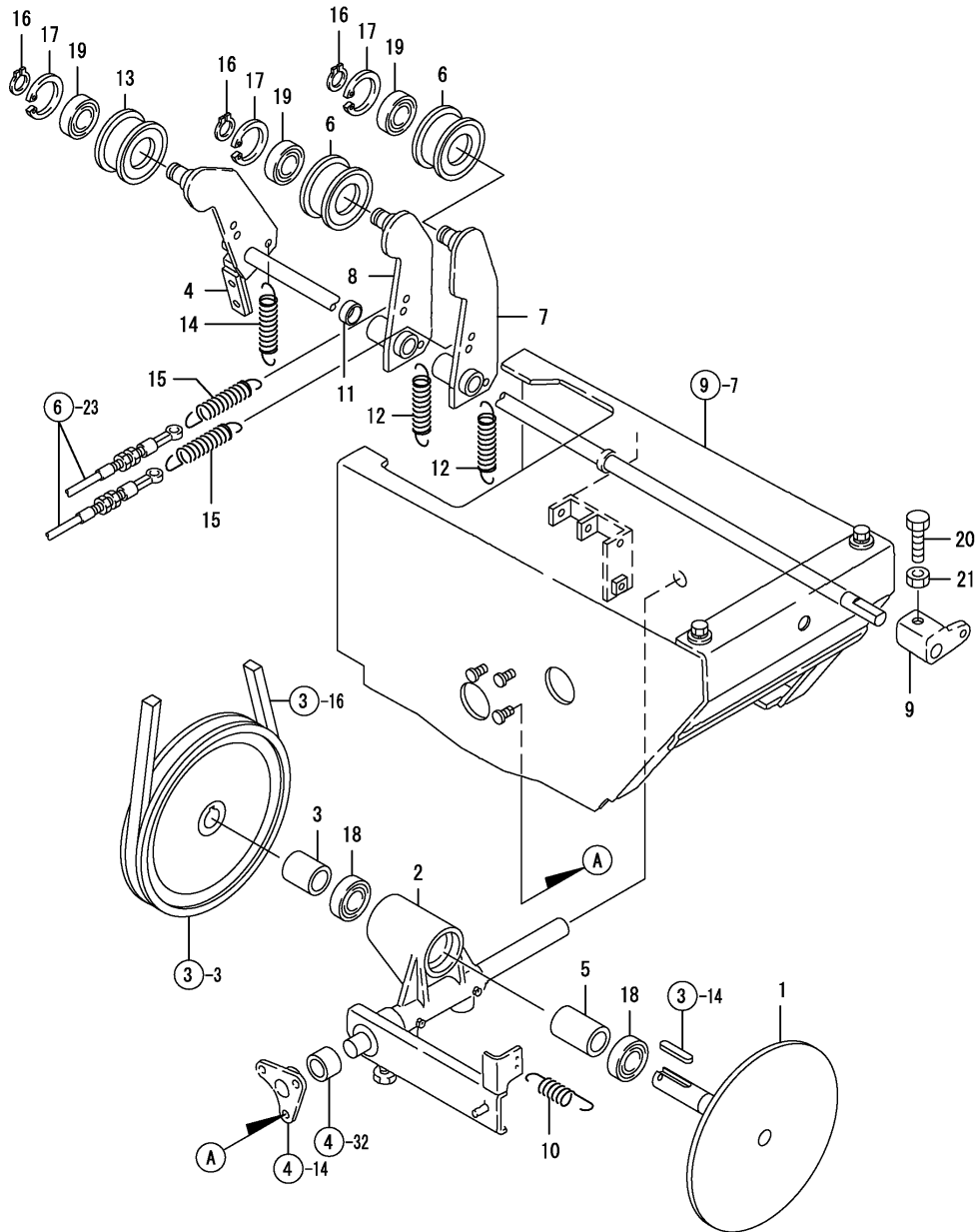
(A)=YSR980TV (D)=YSR980TSV-FL
 (B)=YSR980TSV (E)=
 (C)=YSR980TV-FL (F)=



REF.	LEV.	PARTS NO.	DESCRIPTION	QTY						I	R
				(A)	(B)	(C)	(D)	(E)	(F)		
31	1	22217-060000 (A=F010001) (B=F010121)	SPRING WASHER 6	1	1	1	1				W
32	1	26116-060162 (A=F010001) (B=F010121)	BOLT 6X16	1	1	1	1				W
I 33	1	1N1723-00280 (A=FXXXXXX) (B=FXXXXXX) (C=FXXXXXX) (D=FXXXXXX)	BRACKET	1	1	1	1				W
I 34	1	26023-040102 (B=FXXXXXX) (D=FXXXXXX)	SCREW M 4X 10		2		2				W
I 35	1	26106-060122 (B=FXXXXXX) (D=FXXXXXX)	BOLT M 6X 12 PLATED		1		1				W
I 36	1	26106-060122 (A=FXXXXXX) (B=FXXXXXX) (C=FXXXXXX) (D=FXXXXXX)	BOLT M 6X 12 PLATED	1	1	1	1				W
I 37	1	26106-060402 (A=FXXXXXX) (B=FXXXXXX) (C=FXXXXXX) (D=FXXXXXX)	BOLT M 6X 40 PLATED	1	1	1	1				W
I 37-1	1	26117-060452 (A=FXXXXXX) (B=FXXXXXX) (C=FXXXXXX) (D=FXXXXXX)	BOLT M 6X 45 PLATED	1	1	1	1				S
I 38	1	22117-060000 (A=FXXXXXX) (B=FXXXXXX) (C=FXXXXXX) (D=FXXXXXX)	WASHER 6	1	1	1	1				W
I 39	1	22217-060000 (A=FXXXXXX) (B=FXXXXXX) (C=FXXXXXX) (D=FXXXXXX)	SPRING WASHER 6	1	1	1	1				W
I 40	1	22117-080000 (B=FXXXXXX) (D=FXXXXXX)	WASHER 8		1		1				W
I 41	1	26051-080002 (B=FXXXXXX) (D=FXXXXXX)	NUT M 8		1		1				W
I 42	1	1N3300-00050 (A=F010644) (B=FXXXXXX) (C=F010296) (D=F010221)	GUARD,MUFFLER	1	1	1	1				W
I 43	1	22137-060000 (A=F010644) (B=FXXXXXX) (C=F010296) (D=F010221)	WASHER 6, POLISHED	1	1	1	1				W
I 44	1	26051-060002 (A=F010644) (B=FXXXXXX) (C=F010296) (D=F010221)	NUT M 6	1	1	1	1				W
I 45	1	26117-060122 (A=F010644) (B=FXXXXXX) (C=F010296) (D=F010221)	BOLT M 6X 12 PLATED	1	1	1	1				W

Remarks
 (1) L= REF.NO.4 16M/M, 4-1 10M/M.

Fig.2. TRAVEL CLUTCH



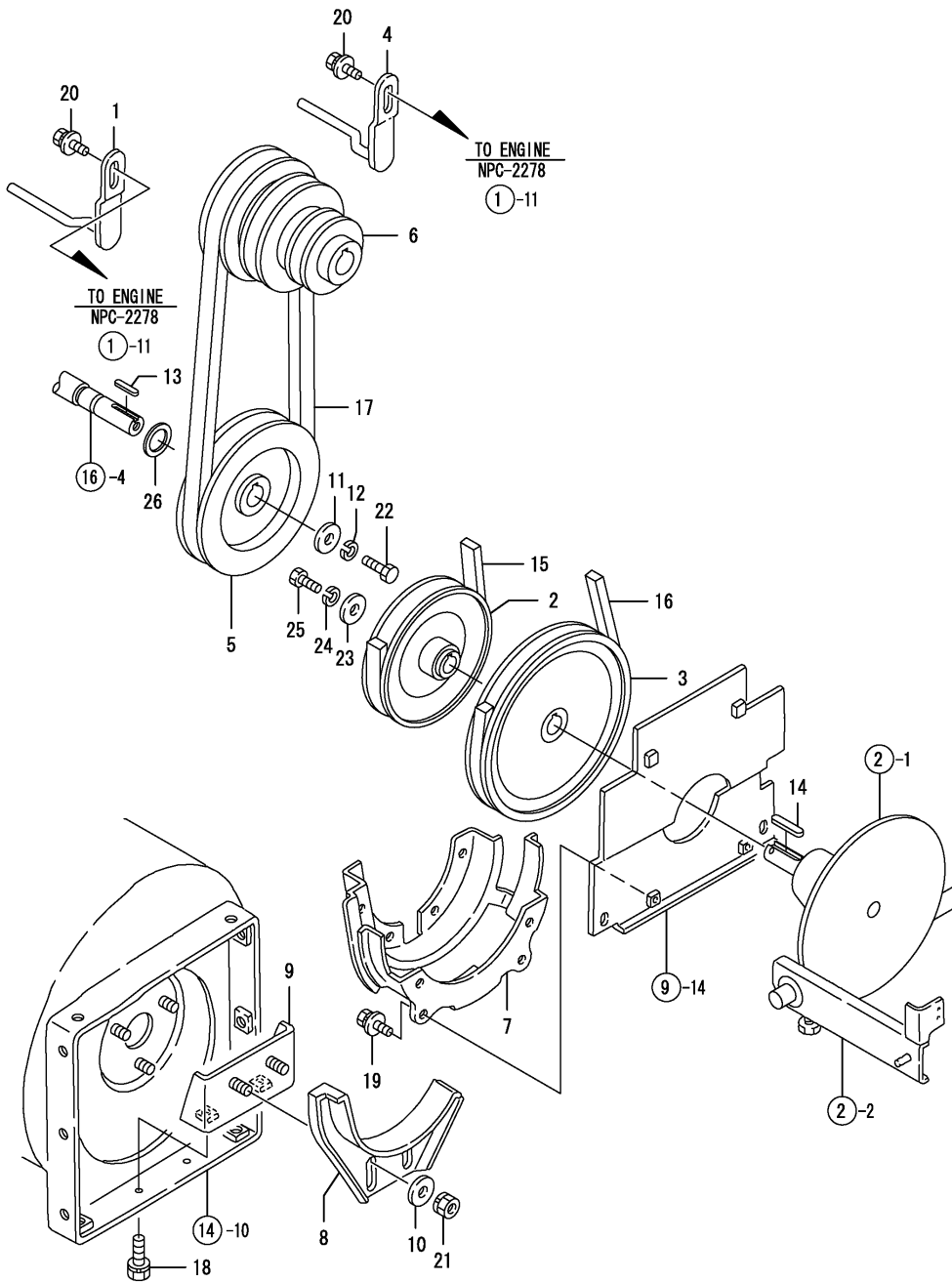
OCNP2-G24500 2. TRAVEL CLUTCH

(A)=YSR980TV
(B)=YSR980TSV
(C)=YSR980TV-FL

(D)=YSR980TSV-FL
(E)=
(F)=

REF.	LEV.	PARTS NO.	DESCRIPTION	QTY						I	R
				(A)	(B)	(C)	(D)	(E)	(F)		
1	1	1N1721-12051	SHAFT COMP.,PULLEY	1	1	1	1				
2	1	1N1720-12071	HOUSING COMP.,CLUTCH	1	1	1	1				
3	1	1N1721-12080	COLLAR 18X25X30	1	1	1	1				
4	1	1N1721-12112	SHAFT,AUGER TENSION	1	1	1	1				
5	1	1N1570-12200	COLLAR 18X25X40	1	1	1	1				
6	1	1N1711-12200	PULLEY,TENSION	2	2	2	2				
7	1	1N1721-12220	ARM,TRAVEL TENSION	1	1						
7-1	1	1N1721-12221	TENSION ARM	1	1	1	1				N
		(A=F010016) (B=F010190)									
8	1	1N1711-12230	ARM,RUNNING TENSION	1	1						
8-1	1	1N1711-12231	TENSION ARM	1	1	1	1				N
		(A=F010016) (B=F010190)									
9	1	1N1710-12240	PLATE A,CAM	1	1	1	1				
I 9-1	1	1N1710-12241	PLATE A,CAM	1	1	1	1				R
		(A=FXXXXXX) (B=FXXXXXX) (C=FXXXXXX) (D=FXXXXXX)									
10	1	1N1570-12280	SPRING,CLUTCH	1	1	1	1				
11	1	1N1711-12280	COLLAR 13X20X5	1	1	1	1				
12	1	1N1570-12350	SPRING,RETURN	2	2	2	2				
13	1	1N1721-12360	PULLEY 59,TENSION	1	1	1	1				
14	1	1N1710-12400	SPRING B,RETURN	1	1	1	1				
15	1	1J3192-40550	SPRING 86,DROPPER	2	2	2	2				
16	1	22242-000150	CIRCLIP 15	3	3	3	3				
17	1	22252-000350	CIRCLIP 35	3	3	3	3				
18	1	24104-060034	BALL BEARING	2	2	2	2				
19	1	24107-062020	BEARING 6202ZZ	3	3	3	3				
20	1	26116-080202	BOLT M 8X 20 PLATED	1	1						
20-1	1	26116-080252	BOLT M 8X 25 PLATED	1	1	1	1				N
		(A=F010001) (B=F010121)									
21	1	26717-080002	NUT 8	1	1	1	1				

Fig.3. BELT DRIVE



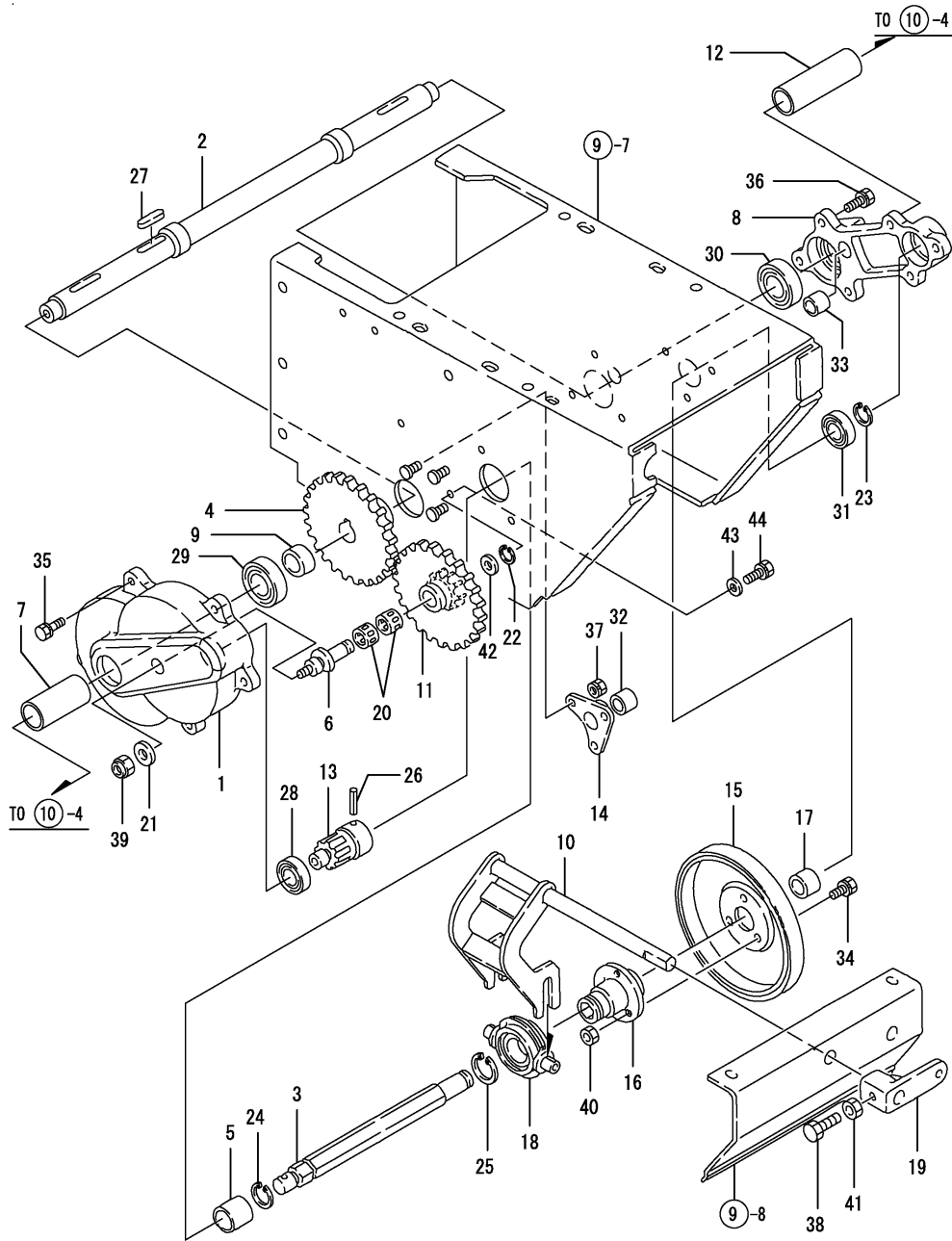
OCNP2-G24500 3. BELT DRIVE

(A)=YSR980TV
(B)=YSR980TSV
(C)=YSR980TV-FL

(D)=YSR980TSV-FL
(E)=
(F)=

REF.	LEV.	PARTS NO.	DESCRIPTION	Q'TY						I	R
				(A)	(B)	(C)	(D)	(E)	(F)		
1	1	1N1723-12000	RETAINER A,BELT	1	1	1	1				
2	1	1N1711-12020	PULLEY 125A COMP.	1	1	1	1				
3	1	1N1711-12030	PULLEY 160A COMPL	1	1	1	1				
4	1	1N1723-12030	RETAINER B,BELT	1	1	1	1				
5	1	1N1721-12350	PULLEY 135B	1	1	1	1				
6	1	1N1721-12401	PULLEY,ENGINE	1	1	1	1				
7	1	1N1711-12560	GUIDE COMP.,BELT	1	1	1	1				
8	1	1N1721-13181	GUIDE,PULLEY	1	1	1	1				
9	1	1N1711-13200	STAY,GUIDE	1	1						
9-1	1	1N1711-13201	STAY,GUIDE	1	1	1	1				R
		(A=F010001) (B=F010001)									
10	1	22137-080000	WASHER 8, POLISHED	2	2	2	2				
11	1	22157-080000	WASHER 8	1	1	1	1				
I 11-1	1	1J3940-14250	WASHER 8.5X30X4.5	1	1	1	1				N
		(A=F010364) (B=F010628) (C=F010201) (D=F010131)									
12	1	22217-080000	SPRING WASHER 8	1	1	1	1				
13	1	22512-050300	KEY 5X 30	1	1	1	1				
14	1	22512-050350	KEY 5X5X35	1	1	1	1				
15	1	25122-003401	V-BELT	1	1	1	1				
16	1	25122-003401	V-BELT	1	1	1	1				
17	1	25123-003101	V-BELT	1	1	1	1				
I 17-1	1	1N3020-12050	V-BELT B-31(W600	1	1	1	1				N
		(A=F010278) (B=F010561) (C=F010201) (D=F010131)									
18	1	26016-080162	BOLT M 8X 16	2	2	2	2				
19	1	26018-060124	BOLT M 6X 12	2	2	2	2				
20	1	26018-080204	BOLT M 8X 20	2	2	2	2				
21	1	26051-080002	NUT M 8	2	2	2	2				
22	1	26116-080252	BOLT M 8X 25 PLATED	1	1	1	1				
23	1	22157-080000	WASHER 8	1	1	1	1				
24	1	22217-080000	SPRING WASHER 8	1	1	1	1				
25	1	26116-080252	BOLT M 8X 25 PLATED	1	1	1	1				
I 26	1	1N1723-12400	SPACER, 17X25X2	1	1	1	1				W
		(A=F010364) (B=F010628) (C=F010201) (D=F010131)									

Fig.4. TRAVEL DRIVE

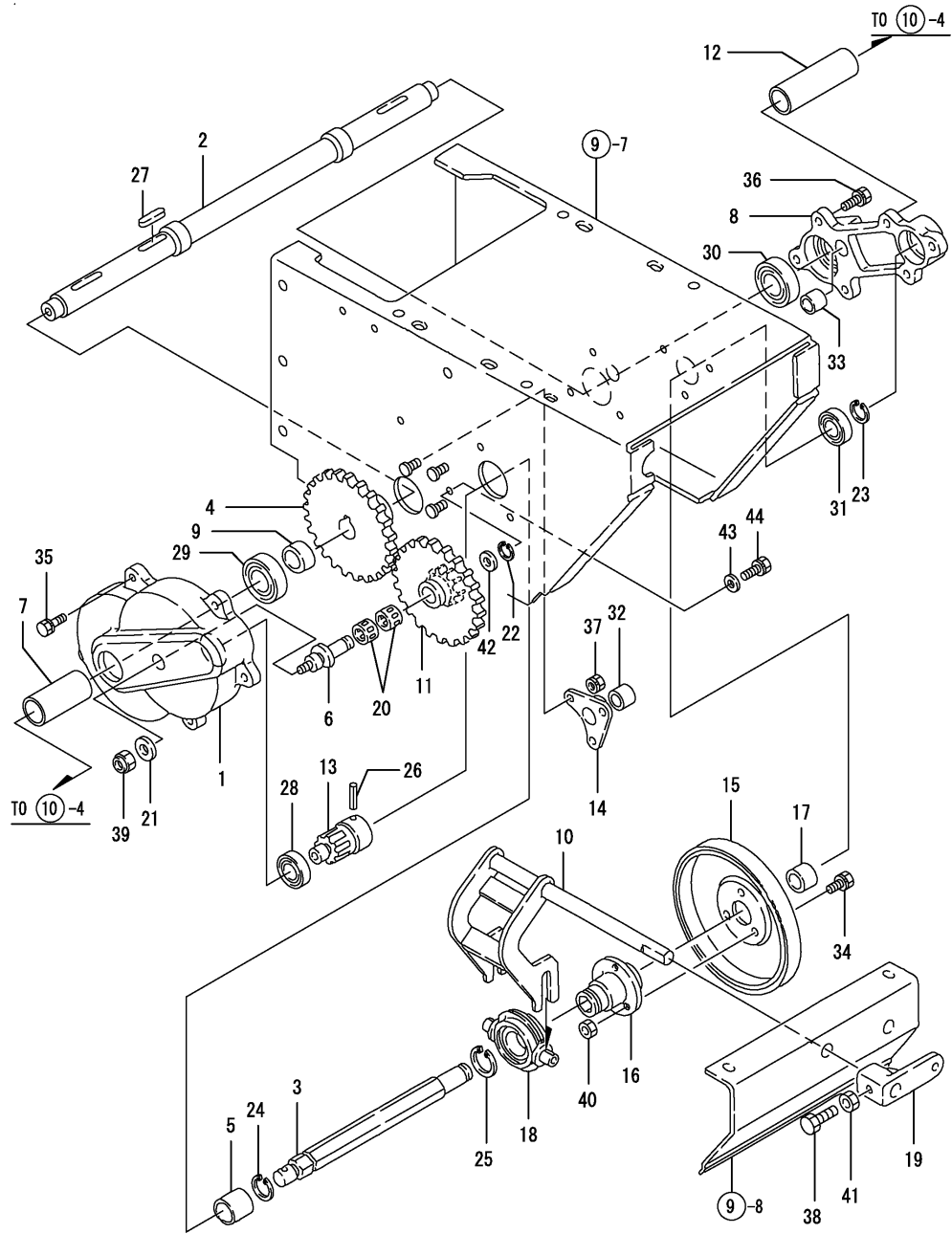


(A)=YSR980TV (D)=YSR980TSV-FL
 (B)=YSR980TSV (E)=
 (C)=YSR980TV-FL (F)=

REF.	LEV.	PARTS NO.	DESCRIPTION	QTY						I	R
				(A)	(B)	(C)	(D)	(E)	(F)		
1	1	1N1710-21001	CASE,REDUCTION GEAR	1	1	1	1				
2	1	1N1720-21000	SHAFT COMPL.,DRIVE	1	1	1	1				
3	1	1N1721-21001	SHAFT,SLIDE	1	1	1	1				
4	1	1N1710-21010	GEAR,SPUR	1	1	1	1				
5	1	1N1721-21010	COLLAR	1	1	1	1				
6	1	1N1710-21022	SHAFT,NEEDLE	1	1	1	1				
I 6-1	1	1N1710-21023	SHAFT,NEEDLE	1	1	1	1				N
		(A=FXXXXXX) (B=FXXXXXX) (C=FXXXXXX) (D=FXXXXXX)									
I 6-2	1	1N1710-21024	SHAFT,NEEDLE	1	1	1	1				N
		(A=F010499) (B=F010703) (C=F010281) (D=F010201)									
7	1	1N1720-21020	CIRCLIP 20-S	1	1	1	1				
8	1	1N1720-21062	CASE,BEARING	1	1	1	1				
9	1	1N1570-21070	COLLAR 21X27X13	1	1	1	1				
10	1	1N1720-21071	LEVER,CHANGE	1	1	1	1				
11	1	1N1570-21090	GEAR,2-STAGE SPUR	1	1	1	1				
12	1	1N1720-21090	COLLAR 21X27X67	1	1	1	1				
13	1	1N1570-21100	PINION	1	1	1	1				
14	1	1N1570-21170	FLANGE	1	1	1	1				
15	1	1N1570-21200	PLATE,FRICITION	1	1	1	1				
16	1	1N1720-21211	SEAT,FRICT'N PL.MTG.	1	1	1	1				
17	1	1N1720-21231	COLLAR 15X25X10	1	1	1	1				
18	1	1N1570-21300	SLIDER,CLUTCH	1	1	1	1				
19	1	1N1710-21320	PLATE C,CAM	1	1	1	1				
20	1	1N1570-21600	BEARING	2	2	2	2				
21	1	22157-080000	WASHER 8	1	1	1	1				
22	1	22242-000120	CIRCLIP 12	1	1	1	1				
23	1	22242-000150	CIRCLIP 15	1	1	1	1				
24	1	22242-000190	CIRCLIP 19	1	1	1	1				
25	1	22242-000250	CIRCLIP 25S	1	1	1	1				
26	1	22351-060025	SPRING PIN 6X25	1	1	1	1				
27	1	22512-050300	KEY 5X 30	1	1	1	1				
28	1	24104-060024	BALL BEARING 6002UU	1	1	1	1				
29	1	24104-060044	BALL BEARING	1	1	1	1				
30	1	24104-060044	BALL BEARING	1	1	1	1				
31	1	24104-062024	BALL BEARING	1	1	1	1				
32	1	24550-015150	BUSH 15X15	1	1	1	1				
33	1	24550-015150	BUSH 15X15	1	1	1	1				
34	1	26016-060164	BOLT 6X16 W/L.W.	3	3	3	3				
35	1	26016-060204	BOLT M 6X 20	5	5	5	5				
I 35-1	1	26016-060202	BOLT M 6X 20	5	5	5	5				N
		(A=F010499) (B=F010703) (C=F010281) (D=F010201)									
36	1	26016-060204	BOLT M 6X 20	6	6	6	6				
37	1	26051-060002	NUT M 6	3	3	3	3				
38	1	26116-080202	BOLT M 8X 20 PLATED	1	1						
38-1	1	26116-080252	BOLT M 8X 25 PLATED	1	1	1	1				N
		(A=F010001) (B=F010121)									
39	1	26347-080002	U-NUT M 8	1	1	1	1				
40	1	26717-060002	NUT M 6	3	3	3	3				
41	1	26717-080002	NUT 8	1	1	1	1				
I 42	1	22117-120000	WASHER 12	1	1	1	1				W
		(A=F010499) (B=F010703) (C=F010281) (D=F010201)									

N:Old $\xrightarrow{\text{Yes}}$ New, Q:Old $\xrightarrow{\text{No}}$ New, R:Old $\xrightarrow{\text{Yes}}$ New, S:Old $\xrightarrow{\text{No}}$ New, W:Add, Z:Discontinued, F:Interchangeable by set, K:Q'ty Change
 ++ CONTINUE ++
 (C)Copy Rights YANMAR CO.,LTD.

Fig.4. TRAVEL DRIVE



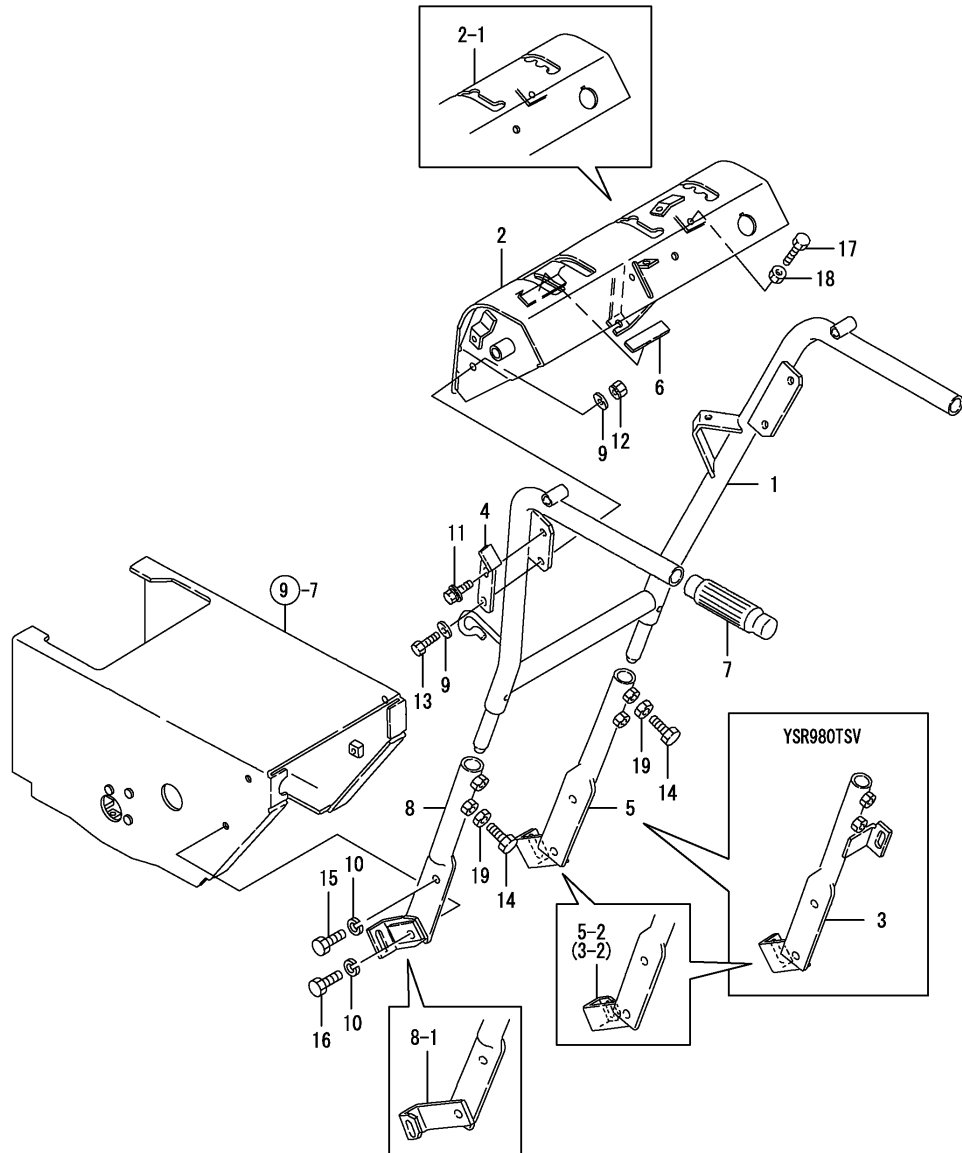
OCNP2-G24500 4. TRAVEL DRIVE

(A)=YSR980TV
(B)=YSR980TSV
(C)=YSR980TV-FL

(D)=YSR980TSV-FL
(E)=
(F)=

I	REF.	LEV.	PARTS NO.	DESCRIPTION	QTY						I	R
					(A)	(B)	(C)	(D)	(E)	(F)		
	43	1	22157-060000	WASHER 6	1	1	1	1				W
			(A=F010499)	(B=F010703)	(C=F010281)	(D=F010201)						
	44	1	26016-060162	BOLT M 6X 16	1	1	1	1				W
			(A=F010499)	(B=F010703)	(C=F010281)	(D=F010201)						

Fig.5. HANDLE



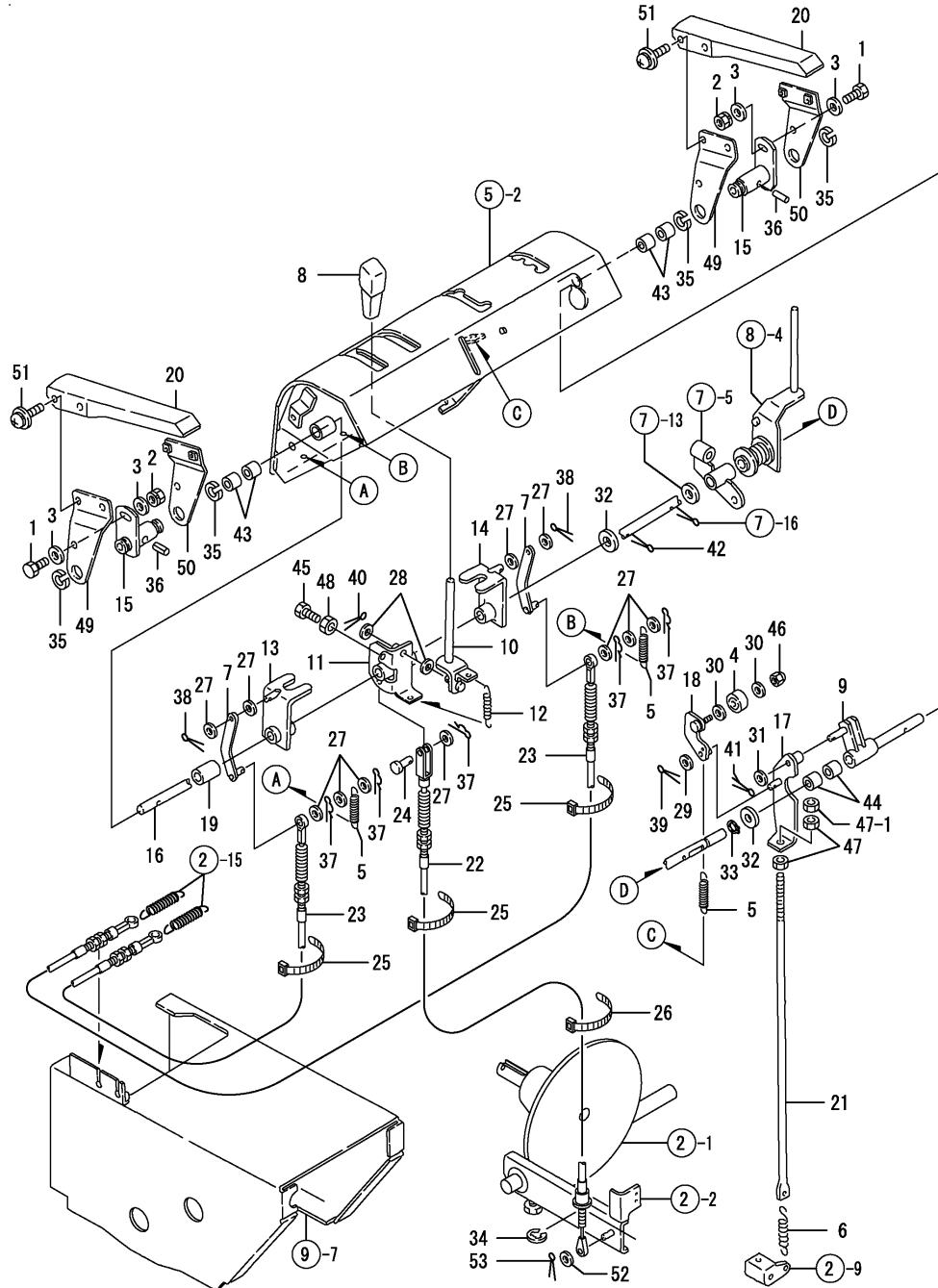
OCNP2-G24500 5. HANDLE

(A)=YSR980TV
(B)=YSR980TSV
(C)=YSR980TV-FL

(D)=YSR980TSV-FL
(E)=
(F)=

REF.	LEV.	PARTS NO.	DESCRIPTION	QTY						I	R
				(A)	(B)	(C)	(D)	(E)	(F)		
1	1	1N1723-30500	HANDLE COMPL.	1	1						
1-1	1	1N1723-30501	HANDLE COMPL.	1	1	1	1				N
		(A=F010001) (B=F010121)									
2	1	1N1723-30510	BOX,CONTROL	1	1						
2-1	1	7N1723-30510	PL.AS.,CONT.BOX CMP.	1	1						Q
		(A=F010001) (B=F010121)									
2-2	1	7N1723-30511	PL.AS.,CONT.BOX CMP.	1	1	1	1				N
		(A=F010093) (B=F010310)									
3	1	1N1723-30640	SUPPORT RS CMP,HNDL		1						
3-1	1	1N1723-30641	SUPPORT RS CMP,HNDL		1						N
		(B=F010121)									
3-2	1	1N1721-35070	SUPPORT COMP.,HANDLE		1		1				S
		(B=F010121)									
4	1	1N1723-30660	STOPPER,DEADMAN	1	1	1	1				
5	1	1N1723-30670	SUPPORT R CMP,HANDLE	1							
5-1	1	1N1723-30671	SUPPORT R CMP,HANDLE	1							N
		(A=F010001)									
5-2	1	1N1721-35040	SUPPORT R CMP,HANDLE	1		1					S
		(A=F010001)									
6	1	1N1723-30680	RUBBER,STOPPER	1	1	1	1				
7	1	1N1710-82140	GRIP BK-8,HANDLE	2	2	2	2				
8	1	1N1721-35500	SUPPORT L CMP,HANDLE	1	1						
8-1	1	1N1721-35001	SUPPORT L CMP,HANDLE	1	1	1	1				S
		(A=F010001) (B=F010121)									
9	1	22137-080000	WASHER 8, POLISHED	2	2	2	2				
10	1	22217-100000	SPRING WASHER 10	4	4	4	4				
11	1	26018-080164	BOLT M 8X 16	2	2	2	2				
12	1	26051-080002	NUT M 8	1	1	1	1				
13	1	26116-080202	BOLT M 8X 20 PLATED	1	1	1	1				
14	1	26116-100252	BOLT M10X 25 PLATED	4	4	4	4				
15	1	26116-100302	BOLT 10X30	2	2	2	2				
16	1	26116-100352	BOLT 10X35	2	2	2	2				
17	1	26117-080304	BOLT M 8X 30 PLATED	1	1	1	1				
18	1	26717-080002	NUT 8	1	1	1	1				
19	1	26717-100002	NUT M10	4	4	4	4				

Fig.6. CLUTCH CONTROL



(A)=YSR980TV
(B)=YSR980TSV
(C)=YSR980TV-FL

(D)=YSR980TSV-FL
(E)=
(F)=

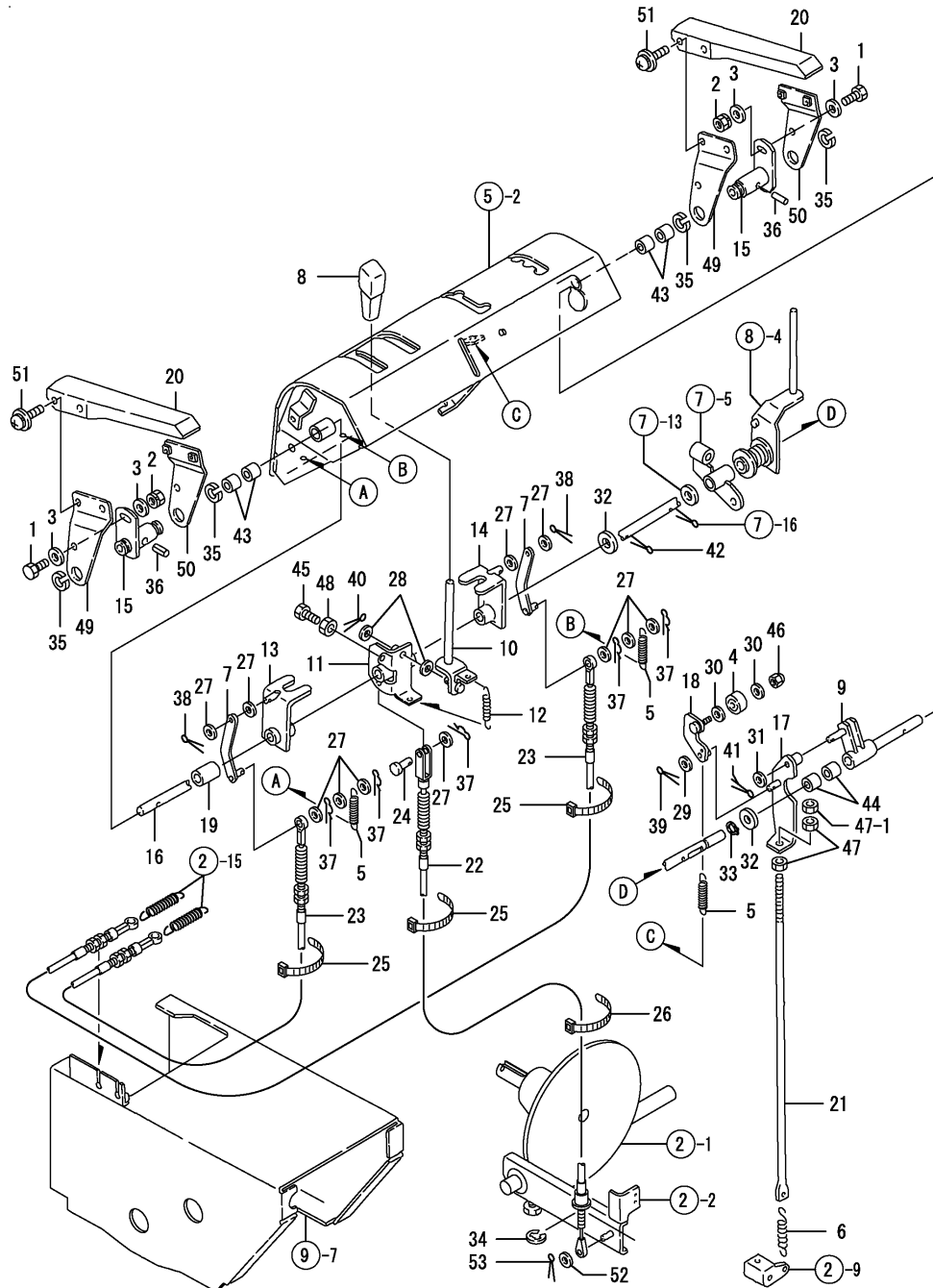
REF.	LEV.	PARTS NO.	DESCRIPTION	Q'TY						I	R
				(A)	(B)	(C)	(D)	(E)	(F)		
1	1	1J3999-00260	BOLT 6X16	2	2	2	2				
2	1	1J3999-01050	NUT 6 W/SP.WASHER	2	2	2	2				
3	1	1J3999-02110	WASHER 6,ROUND	4	4	4	4				
4	1	1J3999-06000	BEARING 626-2NSL	1	1	1	1				
5	1	1N1723-31350	SPRING,RETURN	3	3	3	3				
6	1	1N1713-31010	SPRING 19X90	1	1	1	1				
7	1	1N1723-31010	BRACKET	2	2						
7-1	1	1N1723-31011	RETAINER	2	2	2	2				R
(A=F010001) (B=F010121)											
8	1	1N1723-31040	KNOB,ACCELERAT.LEVER	1	1	1	1				
9	1	1N1723-31050	SHAFT CMP,AGR.CLUTCH	1	1	1	1				
10	1	1N1723-31110	LEVER COMP.,SUB-CHG.	1	1	1	1				
11	1	1N1723-31150	SEAT COMP.,SUB-CHG.	1	1	1	1				
12	1	1N1723-31160	SPRING,LEVER	1	1	1	1				
13	1	1N1723-31230	LEVER L,CHANGE	1	1						
13-1	1	1N1723-31231	LEVER L,CHANGE	1	1	1	1				N
(A=F010001) (B=F010121)											
14	1	1N1723-31250	LEVER R,CHANGE	1	1						
14-1	1	1N1723-31251	LEVER R,CHANGE	1	1	1	1				N
(A=F010001) (B=F010121)											
15	1	1N1723-31270	BOSS COMP.,DEADMAN	2	2	2	2				
16	1	1N1723-31370	SHAFT,CLUTCH	1	1						
16-1	1	1N1723-31371	SHAFT, CLUTCH	1	1	1	1				N
(A=F010001) (B=F010121)											
17	1	1N1723-31380	ARM COMP.,AGR.CLUTCH	1	1	1	1				
18	1	1N1723-31390	CLAW CMP.,AGR.CLUTCH	1	1	1	1				
19	1	1N1723-31410	COLLAR 12X20X25	1	1	1	1				
20	1	1N1723-31360	LEVER,DEADMAN	2	2	2	2				
21	1	1N1723-31500	BOLT 8X520 W/PIPE	1	1						
21-1	1	1N1723-31501	BOLT M8X515,JOINT	1	1	1	1				N
(A=F010001) (B=F010121)											
22	1	1N1723-31510	WIRE TXE,CLUTCH	1	1	1	1				
23	1	1N1723-31520	WIRE TEA,TRAVEL	2	2	2	2				
24	1	1E5000-53430	RIVET 6X13	1	1						
24-1	1	1J3999-05010	PIN 6X14 FLAT HEAD	1	1	1	1				R
(A=F010001) (B=F010121)											
25	1	1E6460-83400	BAND 100	3	3	3	3				
26	1	1E6102-84970	BAND 140,WIRE LOCK	1	1	1	1				
27	1	22117-060000	WASHER 6	11	11	11	11				
28	1	22117-060000	WASHER 6	2	2	2	2				
29	1	22117-060000	WASHER 6	1	1	1	1				
30	1	22117-060000	WASHER 6	2	2	2	2				
31	1	22117-080000	WASHER 8	1	1	1	1				
32	1	22137-120000	WASHER 12,POLISHED	2	2						
32-1	1	22117-120000	WASHER 12	2	2	2	2				N
(A=F010001) (B=F010121)											
33	1	22242-000120	CIRCLIP 12	1	1	1	1				
34	1	22272-000070	CIRCLIP E-7	1	1	1	1				
35	1	22292-000170	CIRCLIP S-17	4	4	4	4				
36	1	22351-050020	SPRING PIN 5X20	2	2	2	2				
37	1	22372-060000	SNAP PIN 6	5	5	5	5				

N:Old $\begin{matrix} \text{Yes} \\ \text{No} \end{matrix}$ New, Q:Old $\begin{matrix} \text{No} \\ \text{Yes} \end{matrix}$ New, R:Old $\begin{matrix} \text{Yes} \\ \text{No} \end{matrix}$ New, S:Old $\begin{matrix} \text{No} \\ \text{Yes} \end{matrix}$ New, W:Add, Z:Discontinued, F:Interchangeable by set, K:Q'ty Change
 ++ CONTINUE ++
 (C)Copy Rights YANMAR CO.,LTD.

Fig.6. CLUTCH CONTROL

(A)=YSR980TV
(B)=YSR980TSV
(C)=YSR980TV-FL

(D)=YSR980TSV-FL
(E)=
(F)=



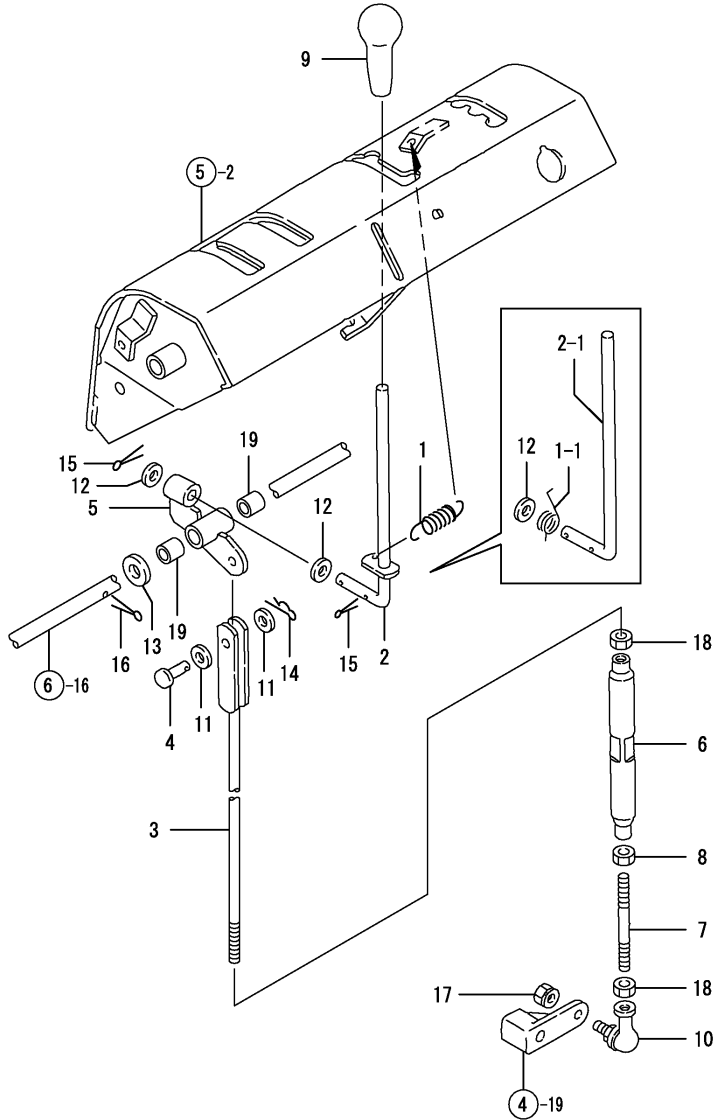
REF.	LEV.	PARTS NO.	DESCRIPTION	QTY						I	R
				(A)	(B)	(C)	(D)	(E)	(F)		
38	1	22417-200120	COTTER PIN 2.0X12	2	2	2	2				
39	1	22417-200120	COTTER PIN 2.0X12	1	1	1	1				
40	1	22417-200120	COTTER PIN 2.0X12	1	1	1	1				
41	1	22417-200160	COTTER PIN 2.0X16	1	1	1	1				
42	1	22417-320250	COTTER PIN 3.2X25	1	1	1	1				
43	1	24550-012150	BUSH 12X15	4	4	4	4				
44	1	24550-012150	BUSH 12X15	2	2	2	2				
45	1	26116-080252	BOLT M 8X 25 PLATED	1	1	1	1				
46	1	26347-060002	U-NUT M 6	1	1	1	1				
47	1	26717-080002	NUT 8	2	2						
47-1	1	26717-080002	NUT 8	3	3	3	3				K
(A=F010001) (B=F010121)											
48	1	26717-080002	NUT 8	1	1	1	1				
49	1	1N1723-31300	PLATE L,CLUTCH	2	2	2	2				
50	1	1N1723-31310	PLATE R,CLUTCH	2	2	2	2				
51	1	1J3999-00250	SCREW 6X16D,PHM/C	8	8	8	8				
52	1	22117-060000	WASHER 6	1	1	1	1				
53	1	22417-200120	COTTER PIN 2.0X12	1	1	1	1				

Fig.7. CHANGE CONTROL

OCNP2-G24500 7. CHANGE CONTROL

(A)=YSR980TV
(B)=YSR980TSV
(C)=YSR980TV-FL

(D)=YSR980TSV-FL
(E)=
(F)=

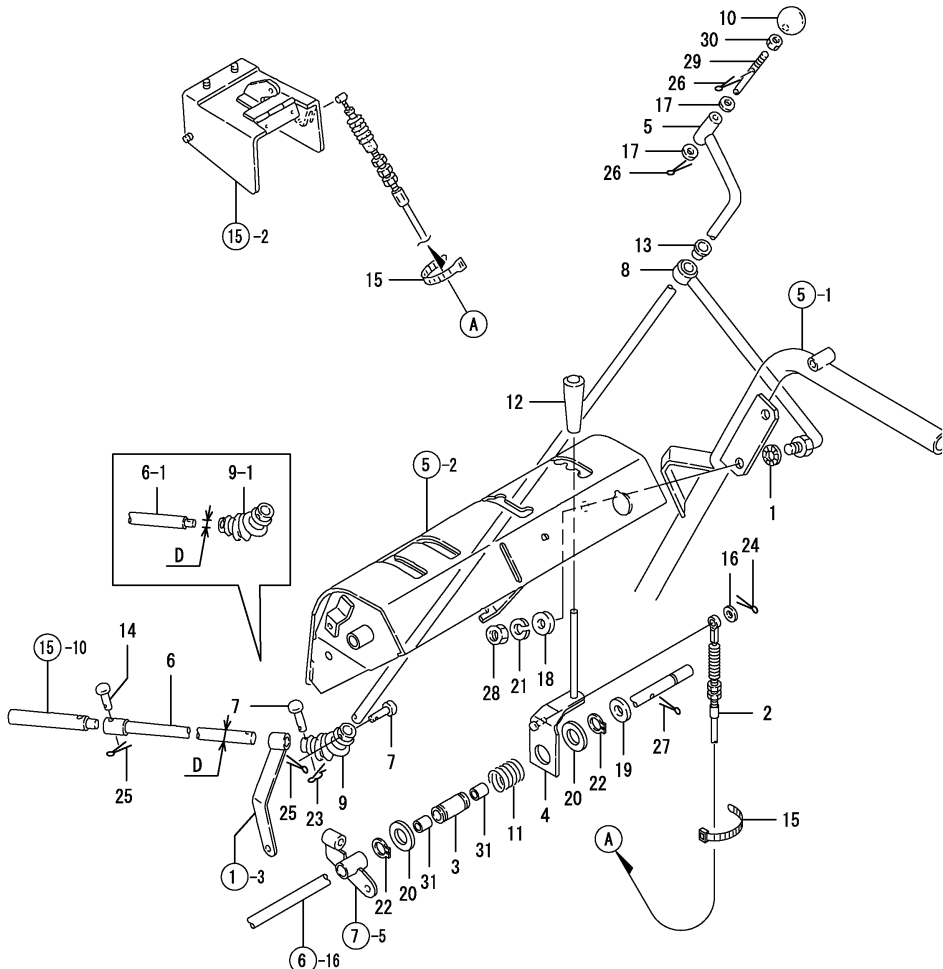


REF.	LEV.	PARTS NO.	DESCRIPTION	Q'TY						I	R
				(A)	(B)	(C)	(D)	(E)	(F)		
1	1	1N1723-32000	SPRING,CHANGE LEVER	1	1						
1-1	1	1N1723-32001	SPRING,CHANGE LEVER	1	1						N
		(A=F010001) (B=F010121)									
1-2	1	1N1723-32002	SPRING,CHANGE LEVER	1	1						N
		(A=F010001) (B=F010121)									
1-3	1	1N1723-32003	SPRING,CHANGE LEVER	1	1	1	1				N
		(A=F010001) (B=F010121)									
2	1	1N1723-32010	LEVER CMP.,CHG.LEVER	1	1						
2-1	1	1N1723-32070	LEVER,CHANGE	1	1	1	1				S
		(A=F010001) (B=F010121)									
3	1	1N1723-32030	ROD COMP.,CHANGE	1	1	1	1				
I 3-1	1	1N1723-32031	ROD COMP.,CHANGE	1	1	1	1				N
		(A=FXXXXXX) (B=FXXXXXX) (C=FXXXXXX) (D=FXXXXXX)									
4	1	1N1723-32060	RIVET 8X18	1	1	1	1				
5	1	1N1723-32080	SEAT,CHANGE	1	1	1	1				
6	1	1N1570-32290	TURNBUCKLE	1	1	1	1				
7	1	1N1570-32320	ROD B,CHANGE LEVER	1	1	1	1				
8	1	1N1570-32950	NUT 8	1	1	1	1				
9	1	1A1040-58160	GRIP, LEVER	1	1	1	1				
10	1	1S6002-61160	BALL 8,LINK	1	1	1	1				
11	1	22117-080000	WASHER 8	2	2	2	2				
12	1	22117-100000	WASHER 10	2	2	2	2				
13	1	22137-120000	WASHER 12,POLISHED	1	1						
13-1	1	22117-120000	WASHER 12	1	1	1	1				N
		(A=F010001) (B=F010121)									
14	1	22372-080000	SNAP PIN (JASO 8)	1	1	1	1				
15	1	22417-200160	COTTER PIN 2.0X16	2	2	2	2				
16	1	22417-320250	COTTER PIN 3.2X25	1	1	1	1				
17	1	26051-080002	NUT M 8	1	1	1	1				
18	1	26717-080002	NUT 8	2	2	2	2				
19	1	24550-012150	BUSH 12X15	2	2	2	2				

Fig.8. SNOW THROW UP CONTROL

(A)=YSR980TV
(B)=YSR980TSV
(C)=YSR980TV-FL

(D)=YSR980TSV-FL
(E)=
(F)=



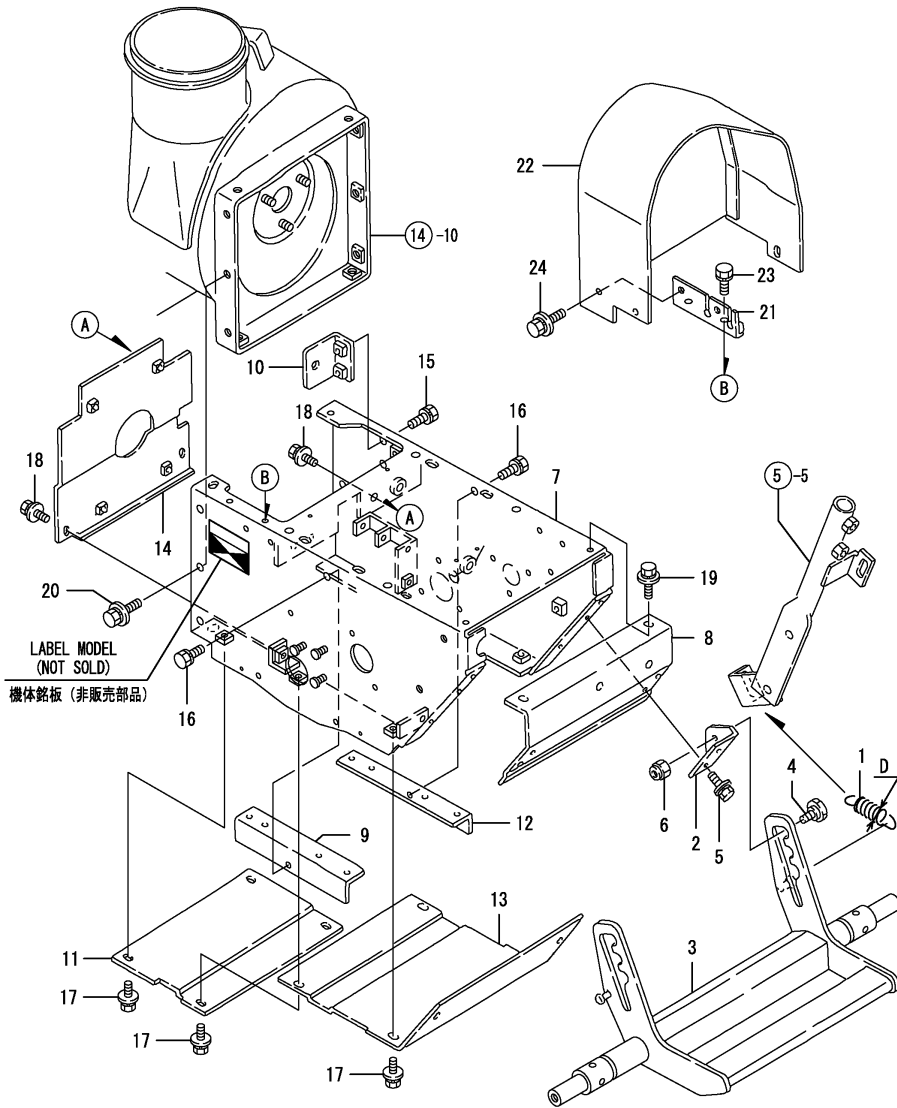
REF.	LEV.	PARTS NO.	DESCRIPTION	QTY						I	R
				(A)	(B)	(C)	(D)	(E)	(F)		
1	1	1J3999-02130	WASHER 12,TOOTHED	1	1	1	1				
I 1-1	1	22232-120000	SPRING WASHER 12	1	1	1	1				N
		(A)=FXXXXXX (B)=FXXXXXX (C)=FXXXXXX (D)=FXXXXXX									
2	1	1N1723-34000	WIRE,CHUTE ADJUSTING	1	1	1	1				
3	1	1N1723-34010	COLLAR,CHUTE LEVER	1	1	1	1				
4	1	1N1723-34020	LEVER,CHUTE	1	1	1	1				
5	1	1N1723-34050	HANDLE COMP.,HANDLE	1	1						
5-1	1	1N1723-34051	HANDLE COMP.,HANDLE	1	1	1	1				N
		(A=F010001) (B=F010121)									
6	1	1N1723-34080	ROD,CONNECTING	1	1						
6-1	1	1N1723-34081	ROD,COUPLING	1	1	1	1				S 1
		(A=F010001) (B=F010121)									
7	1	1N1723-34100	RIVET 4X22	2	2	2	2				
8	1	1N1723-34110	STAY CMP,CHUTE HANDL	1	1	1	1				
I 8-1	1	1N1723-34111	STAY CMP,CHUTE HANDL	1	1	1	1				N
		(A=FXXXXXX) (B=FXXXXXX) (C=FXXXXXX) (D=FXXXXXX)									
9	1	1N1723-34140	JOINT,UNIVERSAL	1	1						
9-1	1	1N1723-34141	JOINT,UNIVERSAL	1	1	1	1				S 1
		(A=F010001) (B=F010121)									
10	1	1N1723-34150	GRIP,CHUTE HANDLE	1	1	1	1				
11	1	1N1723-34160	SPRING 27X35	1	1	1	1				
12	1	1A1140-58050	GRIP, STAND	1	1	1	1				
13	1	1S6240-63810	DBS 1215-20F	1	1	1	1				
14	1	1N1570-73260	RIVET 4X20,ROUND	1	1	1	1				
15	1	1E6460-83400	BAND 100	2	2	2	2				
16	1	22117-060000	WASHER 6	1	1	1	1				
17	1	22117-080000	WASHER 8	2	2	2	2				
I 18	1	22137-120000	WASHER 12,POLISHED	1	1	1	1				Z
		(A=FXXXXXX) (B=FXXXXXX) (C=FXXXXXX) (D=FXXXXXX)									
19	1	22137-200000	WASHER 20,POLISHED	1	1						
19-1	1	22137-120000	WASHER 12,POLISHED	1	1						S
		(A=F010001) (B=F010001)									
19-2	1	22117-120000	WASHER 12	1	1	1	1				N
		(A=F010001) (B=F010121)									
20	1	22137-200000	WASHER 20,POLISHED	2	2	2	2				
21	1	22217-120000	SPRING WASHER 12	1	1	1	1				
I 21-1	1	22232-120000	SPRING WASHER 12	1	1	1	1				N
		(A=FXXXXXX) (B=FXXXXXX) (C=FXXXXXX) (D=FXXXXXX)									
22	1	22242-000200	CIRCLIP 20	2	2	2	2				
23	1	22372-040000	SNAP PIN 4	1	1	1	1				
24	1	22417-200120	COTTER PIN 2.0X12	1	1	1	1				
25	1	22417-200120	COTTER PIN 2.0X12	2	2	2	2				
26	1	22417-200160	COTTER PIN 2.0X16	2	2	2	2				
27	1	22417-320250	COTTER PIN 3.2X25	1	1	1	1				
28	1	26717-120002	NUT M12	1	1	1	1				
I 28-1	1	26367-120002	U-NUT M12	1	1	1	1				N
		(A=FXXXXXX) (B=FXXXXXX) (C=FXXXXXX) (D=FXXXXXX)									
29	1	1N1723-34170	SHAFT,CHUTE HANDLE	1	1	1	1				
30	1	26717-080002	NUT 8	1	1	1	1				
31	1	24550-012150	BUSH 12X15	2	2	2	2				

Remarks
(1) D=12 MM FOR REF.NOS.6 & 12 WHILE
REF.NOS. 6-1 & 9-1 HAVE D=10 MM.

Fig.9. CHASSIS

(A)=YSR980TV
(B)=YSR980TSV
(C)=YSR980TV-FL

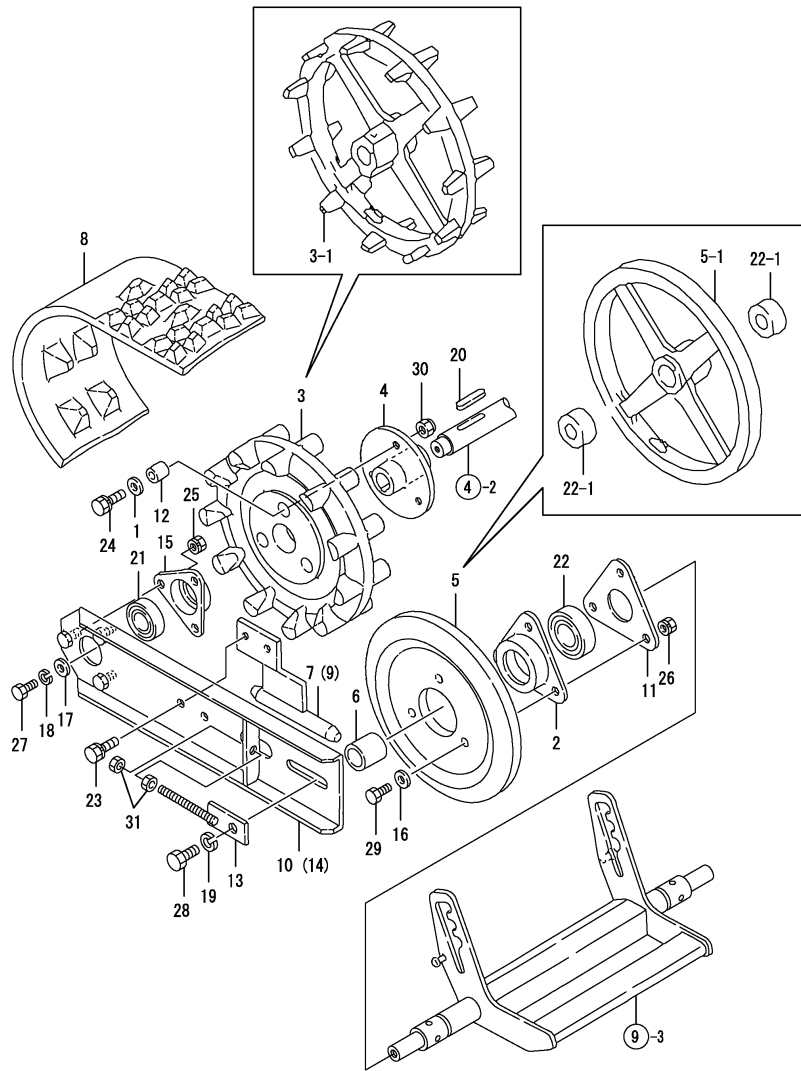
(D)=YSR980TSV-FL
(E)=
(F)=



REF.	LEV.	PARTS NO.	DESCRIPTION	QTY						I	R
				(A)	(B)	(C)	(D)	(E)	(F)		
1	1	1N1723-35000	SPRING,FOOT	1	1						
1-1	1	1N1710-36370	SPRING,FOOT	2	2	2	2			S	1
		(A=F010001) (B=F010121)									
2	1	1N1720-36250	FIXTURE	2	2	2	2				
3	1	1N1720-36302	PEDAL COMP.,FOOT	1	1	1	1				
4	1	1N1570-36351	BOLT,REAMER	2	2	2	2				
5	1	26018-080204	BOLT M 8X 20	4	4	4	4				
I 5-1	1	26018-080252	BOLT M8X 25	4	4	4	4				N
		(A=FXXXXXXX) (B=FXXXXXXX) (C=FXXXXXXX) (D=FXXXXXXX)									
6	1	26051-080002	NUT M 8	2	2						
6-1	1	1J3999-01090	U-NUT M8	2	2	2	2				N
		(A=F010001) (B=F010121)									
7	1	1N1721-36001	CHASSIS COMPL.	1	1	1	1				
I 7-1	1	1N1721-36002	CHASSIS COMPL.	1	1	1	1				N
		(A=F010499) (B=F010703) (C=F010281) (D=F010201)									
8	1	1N1721-36070	PLATE R,CHASSIS	1	1	1	1				
9	1	1N1720-36100	BASE L,ENGINE	1	1	1	1				
10	1	1N1711-36110	SUPPORT,TENSION	1	1	1	1				
11	1	1N1721-36111	PLATE A,CHASSIS BTM	1	1	1	1				
12	1	1N1720-36120	BOLT 8X16 W/L.W.	1	1	1	1				
13	1	1N1721-36121	PLATE B,CHASSIS BTM	1	1	1	1				
14	1	1N1720-36221	PLATE,SHUT-OFF	1	1	1	1				
15	1	26016-060124	BOLT 6X12 W/L.W.	2	2	2	2				
16	1	26016-080164	BOLT M 8X 16	2	2	2	2				
17	1	26018-060124	BOLT M 6X 12	8	8	8	8				
18	1	26018-060164	BOLT M 6X 16	4	4	4	4				
19	1	26018-080164	BOLT M 8X 16	2	2	2	2				
20	1	26018-080164	BOLT M 8X 16	10	10	10	10				
21	1	1N1711-36090	METAL,WIRE LOCK	1	1	1	1				
22	1	7N1723-37000	PL.AS.,BELT CVR.CMP.	1	1	1	1				
I 22-1	1	7N1723-37050	PL.AS.,BELT CVR.CMP.	1	1	1	1				N
		(A=FXXXXXXX) (B=FXXXXXXX) (C=F010296) (D=F010221)									
23	1	26016-060124	BOLT 6X12 W/L.W.	2	2						
23-1	1	26016-060164	BOLT 6X16 W/L.W.	2	2	2	2				N
		(A=F010001) (B=F010001)									
24	1	26018-060124	BOLT M 6X 12	3	3	3	3				

Remarks
(1) D=22 MM FOR REF.NO.1 WHILE REF.
NO. 1-1 HAS D=16.5 MM.

Fig.10. CRAWLER



Remarks
 (1)REF.NO.3-1 IS INTERCHANGEABLE WITH
 A SET OF REF.NOS.3,1-1,4,12,24-1
 & 30.
 (2)REF.NOS.5-1 & 22-1 ARE A SET AND
 INTERCHANGEABLE WITH A SET OF REF.
 NOS.5,22,2,6,11,16-2,26-1 & 29-2.

(A)=YSR980TV
 (B)=YSR980TSV
 (C)=YSR980TV-FL

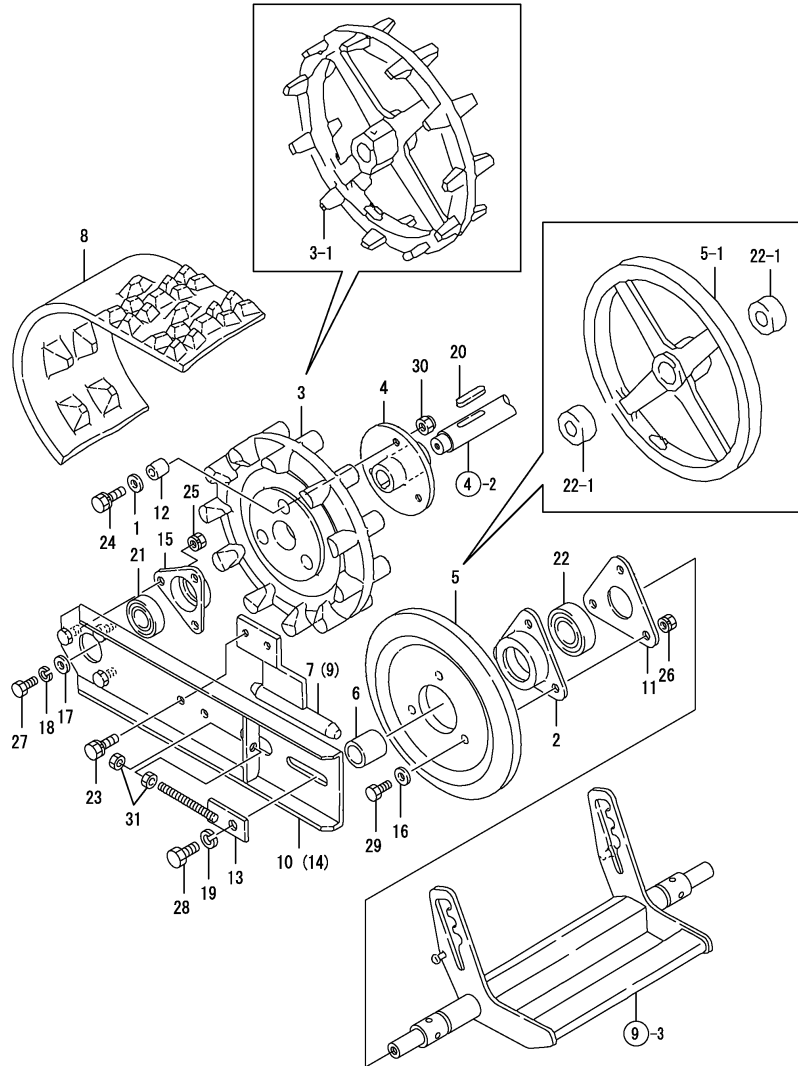
(D)=YSR980TSV-FL
 (E)=
 (F)=

REF.	LEV.	PARTS NO.	DESCRIPTION	QTY						I	R
				(A)	(B)	(C)	(D)	(E)	(F)		
1	1	1J3999-02020	WASHER 8	6	6	6	6				
I 1-1	1	1J3999-02050	WASHER	6	6	6	6				N
		(A=FXXXXXX) (B=FXXXXXX) (C=FXXXXXX) (D=FXXXXXX)									
I 1-2	1	1J3999-02050	WASHER	6	6	6	6				Z
		(A=F010266) (B=F010539) (C=F010081) (D=F010051)									
I 2	1	1J3000-20020	BEARING	2	2	2	2				Z
		(A=F010266) (B=F010539) (C=F010081) (D=F010051)									
3	1	1N1570-38000	SPROCKET 11	2	2	2	2				
I 3-1	1	1N1723-38500	SPROCKET, 11-43	2	2	2	2				F 1
		(A=F010266) (B=F010539) (C=F010081) (D=F010051)									
I 4	1	1N1710-38000	BOSS, SPROCKET	2	2	2	2				Z
		(A=F010266) (B=F010539) (C=F010081) (D=F010051)									
5	1	1N1570-38010	RING, TOP	2	2	2	2				
I 5-1	1	1N3021-38600	WHEEL	2	2	2	2				F 2
		(A=F010266) (B=F010539) (C=F010081) (D=F010051)									
I 6	1	1N1570-38020	COLLAR 21X27X26	2	2	2	2				Z
		(A=F010266) (B=F010539) (C=F010081) (D=F010051)									
7	1	1N1710-38020	GUIDE L	1	1	1	1				
8	1	1N1570-38030	CRAWLER	2	2	2	2				
9	1	1N1710-38040	GUIDE R	1	1	1	1				
10	1	1N1570-38050	PLATE L, CRAWLER SIDE	1	1	1	1				
I 11	1	1N1570-38090	PLATE, BEARING KEEP	2	2	2	2				Z
		(A=F010266) (B=F010539) (C=F010081) (D=F010051)									
I 12	1	1N1570-38130	COLLAR 8X14X9	6	6	6	6				Z
		(A=F010266) (B=F010539) (C=F010081) (D=F010051)									
13	1	1N1570-38150	BOLT W/PIPE	2	2						
13-1	1	1N1570-38151	BOLT W/PIPE	2	2	2	2				N
		(A=F010000) (B=F010000)									
14	1	1N1570-38180	PLATE R, CRAWLER SIDE	1	1	1	1				
15	1	1N1570-38210	BEARING 6203B	2	2	2	2				
16	1	22137-080000	WASHER 8, POLISHED	6	6						
16-1	1	1J3999-02020	WASHER 8	6	6	6	6				N
		(A=F010001) (B=F010121)									
I 16-2	1	1J3999-02050	WASHER	6	6	6	6				N
		(A=FXXXXXX) (B=FXXXXXX) (C=FXXXXXX) (D=FXXXXXX)									
I 16-3	1	1J3999-02050	WASHER	6	6	6	6				Z
		(A=F010266) (B=F010539) (C=F010081) (D=F010051)									
17	1	22157-080000	WASHER 8	2	2	2	2				
18	1	22217-080000	SPRING WASHER 8	2	2	2	2				
19	1	22217-100000	SPRING WASHER 10	2	2	2	2				
20	1	22512-050300	KEY 5X 30	2	2	2	2				
21	1	24104-062034	BALL BEARING	2	2	2	2				
22	1	24104-063044	BALL BEARING	2	2	2	2				
I 22-1	1	24550-020100	BUSH	4	4	4	4				S
		(A=F010266) (B=F010539) (C=F010081) (D=F010051)									
23	1	26016-080204	BOLT M 8X 20	4	4	4	4				
24	1	26016-080302	BOLT M 8X 30	6	6						
24-1	1	26116-080304	BOLT M8 X 30 PLATED	6	6	6	6				N
		(A=F010001) (B=F010121)									
I 24-2	1	26116-080304	BOLT M8 X 30 PLATED	6	6	6	6				Z
		(A=F010266) (B=F010539) (C=F010081) (D=F010051)									

Fig.10. CRAWLER

(A)=YSR980TV
(B)=YSR980TSV
(C)=YSR980TV-FL

(D)=YSR980TSV-FL
(E)=
(F)=

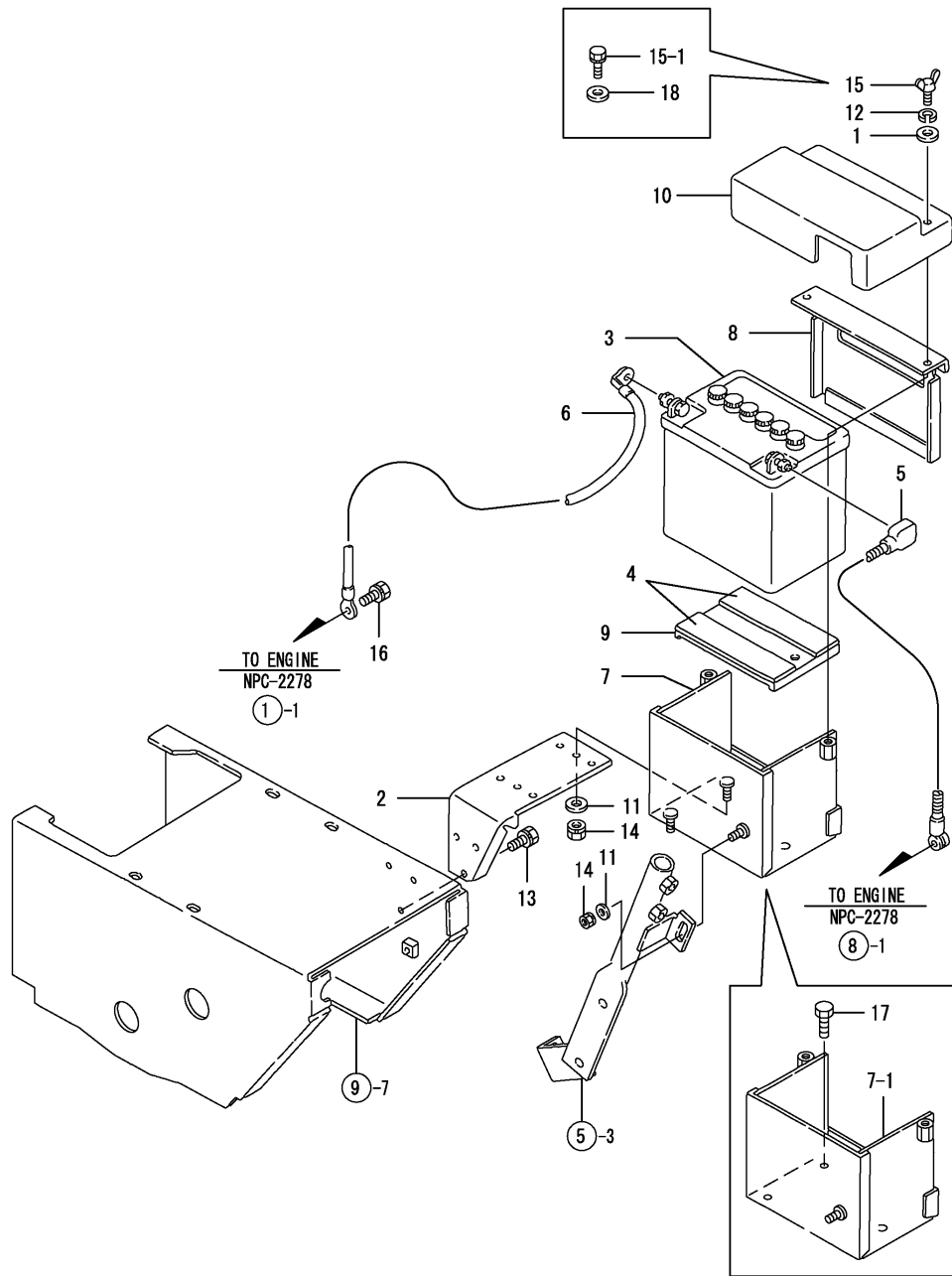


Remarks

- (1)REF.NO.3-1 IS INTERCHANGEABLE WITH A SET OF REF.NOS.3,1-1,4,12,24-1 & 30.
- (2)REF.NOS.5-1 & 22-1 ARE A SET AND INTERCHANGEABLE WITH A SET OF REF. NOS.5,22,2,6,11,16-2,26-1 & 29-2.

REF.	LEV.	PARTS NO.	DESCRIPTION	Q'TY						I	R
				(A)	(B)	(C)	(D)	(E)	(F)		
25	1	26051-080002	NUT M 8	6	6	6	6				
26	1	26051-080002	NUT M 8	6	6	6	6				
I 26-1	1	26347-080002	U-NUT M 8	6	6	6	6				N
I 26-2	1	26347-080002	U-NUT M 8	6	6	6	6				Z
		(A=F010266) (B=F010539) (C=F010081) (D=F010051)									
27	1	26116-080252	BOLT M 8X 25 PLATED	2	2	2	2				
28	1	26116-100252	BOLT M10X 25 PLATED	2	2	2	2				
29	1	26117-080252	BOLT M 8X 25 PLATED	6	6						
29-1	1	26116-080254	BOLT M 8X 25 PLATED	6	6	6	6				N
		(A=F010001) (B=F010121)									
I 29-2	1	26116-080304	BOLT M8 X 30 PLATED	6	6	6	6				N
		(A=F010266) (B=F010539) (C=F010081) (D=F010051)									
I 29-3	1	26116-080304	BOLT M8 X 30 PLATED	6	6	6	6				Z
		(A=F010266) (B=F010539) (C=F010081) (D=F010051)									
I 30	1	26347-080002	U-NUT M 8	6	6	6	6				Z
		(A=F010266) (B=F010539) (C=F010081) (D=F010051)									
31	1	26717-080002	NUT 8	4	4	4	4				

Fig.11. BATTERY



0CNP2-G24500 11. BATTERY

(A)=YSR980TV
(B)=YSR980TSV
(C)=YSR980TV-FL

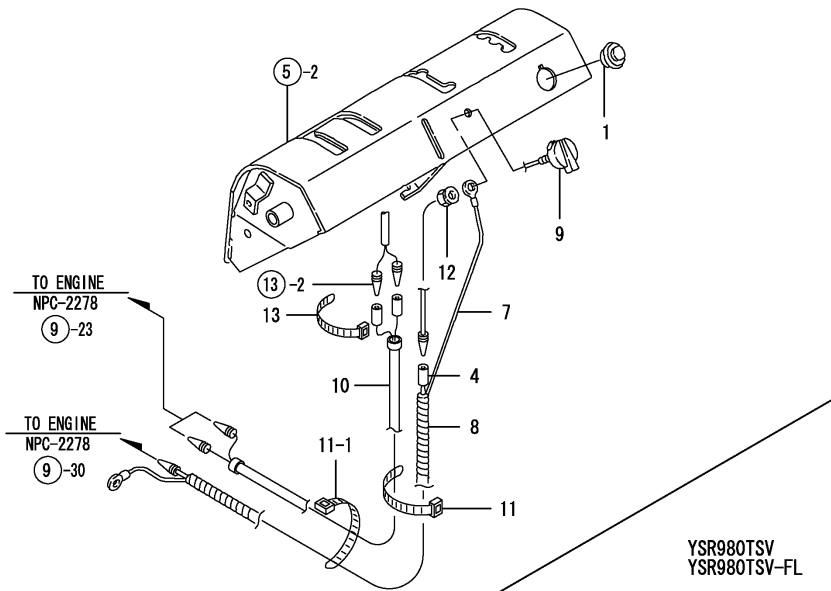
(D)=YSR980TSV-FL
(E)=
(F)=

REF.	LEV.	PARTS NO.	DESCRIPTION	QTY						I	R
				(A)	(B)	(C)	(D)	(E)	(F)		
I	1	1	1J3999-02010 WASHER 6 (B=FXXXXXX) (D=F010221)	2			2				Z
	2	1	1N1721-51031 MOUNT.BATTERY	1			1				
	3	1	1N1720-51210 BATTERY	1							
	3-1	1	1N1723-51560 BATTERY Y60-N24NL(E) (B=F010121)	1							N
	3-2	1	1N1723-51561 30A19L DRY (B=F010310)	1			1				N
	4	1	1N1720-51550 RUBBER,LINING	2			2				
	5	1	1N1720-51222 CABLE D,BATTERY POS.	1			1				
	6	1	1N1720-51233 CABLE,BATTERY EARTH	1			1				
	7	1	1N1723-51000 CASE D,BATTERY	1							
	7-1	1	1N1723-51001 CASE, BATTERY (B=F010121)	1			1				R
	8	1	1N1721-51160 PLATE 80,KEEP	1							
	8-1	1	1N1721-51161 PLATE 80,KEEP (B=F010031)	1							N
	8-2	1	1N1721-51162 PLATE 80,KEEP (B=F010310)	1			1				N
	9	1	1N1721-51130 PLATE 80,BATTERY BTM	1			1				
	10	1	1N1721-51190 COVER 80,BATTERY	1							
	10-1	1	1N1721-51191 COVER 80,BATTERY (B=F010121)	1			1				R
	11	1	22137-080000 WASHER 8, POLISHED	3			3				
I	12	1	22217-060000 SPRING WASHER 6 (B=FXXXXXX) (D=F010221)	2			2				Z
	13	1	26016-080164 BOLT M 8X 16	3			3				
	14	1	26051-080002 NUT M 8	3			3				
	15	1	26647-060402 BOLT M6X40,WING	2			2				
I	15-1	1	26016-060404 BOLT M 6X 40 (B=FXXXXXX) (D=F010221)	2			2				N
	16	1	26016-080164 BOLT M 8X 16	1			1				
	17	1	26117-080162 BOLT M 8X 16 PLATED (B=F010121)	2			2				W
I	18	1	22157-060000 WASHER 6 (B=FXXXXXX) (D=F010221)	2			2				W

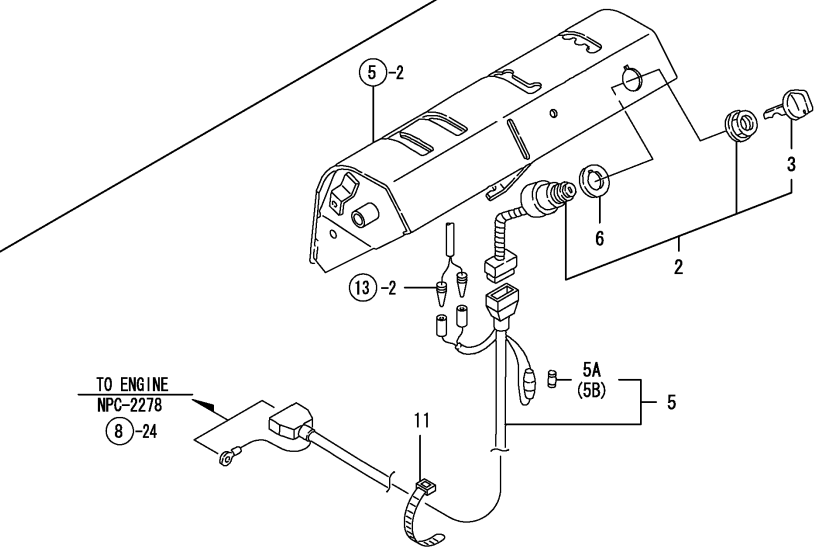
Fig.12. SWITCH & HARNESS

(A)=YSR980TV
(B)=YSR980TSV
(C)=YSR980TV-FL

(D)=YSR980TSV-FL
(E)=
(F)=



REF.	LEV.	PARTS NO.	DESCRIPTION	QTY						I	R
				(A)	(B)	(C)	(D)	(E)	(F)		
1	1	1N1710-32180	GROMMET W/FILM	1		1					
2	1	1N1711-51250	SWITCH COMPL.,KEY		1		1				
3	2	1N1711-51240	KEY		1		1				
4	1	1N1723-51500	HARNESS TE	1		1					
5	1	1N1723-51510	HARNESS 20A,KEY		1						
5-1	1	1N1723-51511	HARNESS COMP.,KEY		1		1				N
5A	2	29411-200000 (B=F010121)	FUSE (20A),CARTRIDGE		1		1				W
5B	2	29411-200000 (B=F010121)	FUSE (20A),CARTRIDGE		1		1				W 1
6	1	1N1710-51520	SPACER,SWITCH		1		1				
7	1	1N1723-51520	HARNESS,BODY EARTH	1		1					
8	1	1N1723-51530	TUBE 910,CORRUGATED	1							
8-1	1	1N1723-51531	TUBE 870,CORRUGATED	1		1					N
9	1	1N1711-51770 (A=F010001)	SWITCH,STOR	1		1					
10	1	1N1723-53500	HARNES TE,LIGHT	1		1					
11	1	1E6102-84970	BAND 140,WIRE LOCK	1	1		1				
11-1	1	1E6102-84970 (A=F010001)	BAND 140,WIRE LOCK	2		2					K
12	1	26051-080002	NUT M 8	1		1					
13	1	1E6460-83400 (A=F010001)	BAND 100	1		1					W



Remarks
(1) SPARE PARTS

Fig.13. LAMP

(A)=YSR980TV
 (B)=YSR980TSV
 (C)=YSR980TV-FL

(D)=YSR980TSV-FL
 (E)=
 (F)=

REF.	LEV.	PARTS NO.	DESCRIPTION	Q'TY						I	R
				(A)	(B)	(C)	(D)	(E)	(F)		
1	1	1N1711-51390	STAY,HEADLIGHT	1	1	1	1				
2	1	1N1711-51850	HEADLIGHT COMPL.	1	1	1	1				
3	2	1N1711-51860	LAMP 12V-15W G23	1	1	1	1				
4	1	1N1721-52470	STAY TD,HEADLIGHT	1	1						
4-1	1	1N1721-52471 (A=F010093) (B=F010310)	STAY TD,HEADLIGHT	1	1	1	1				N
5	1	1E6102-84970	BAND 140,WIRE LOCK	1	1	1	1				
6	1	26016-060164	BOLT 6X16 W/L.W.	2	2	2	2				
7	1	26016-080164	BOLT M 8X 16	2	2	2	2				

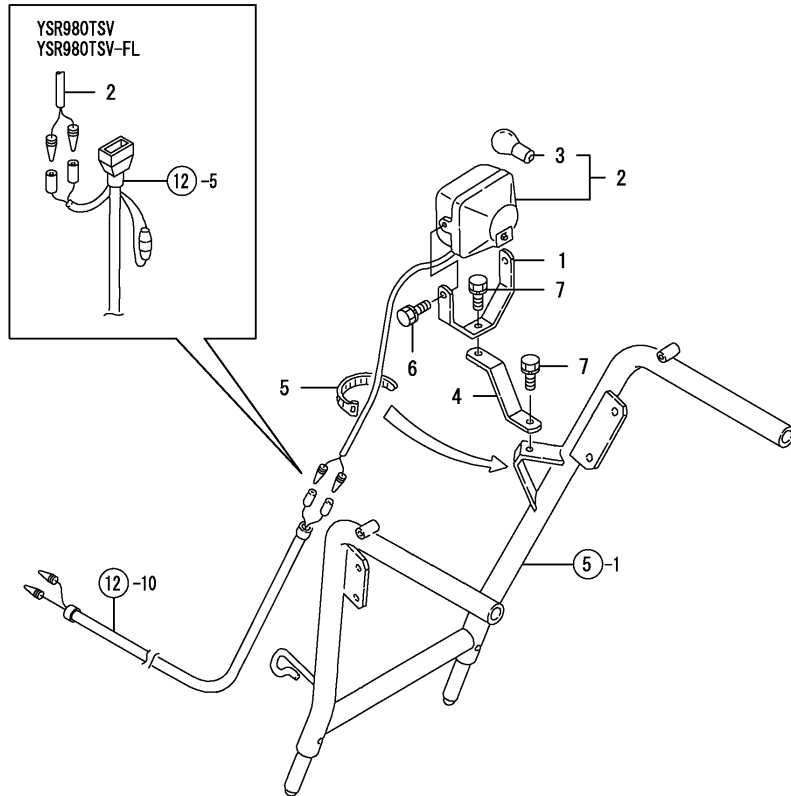
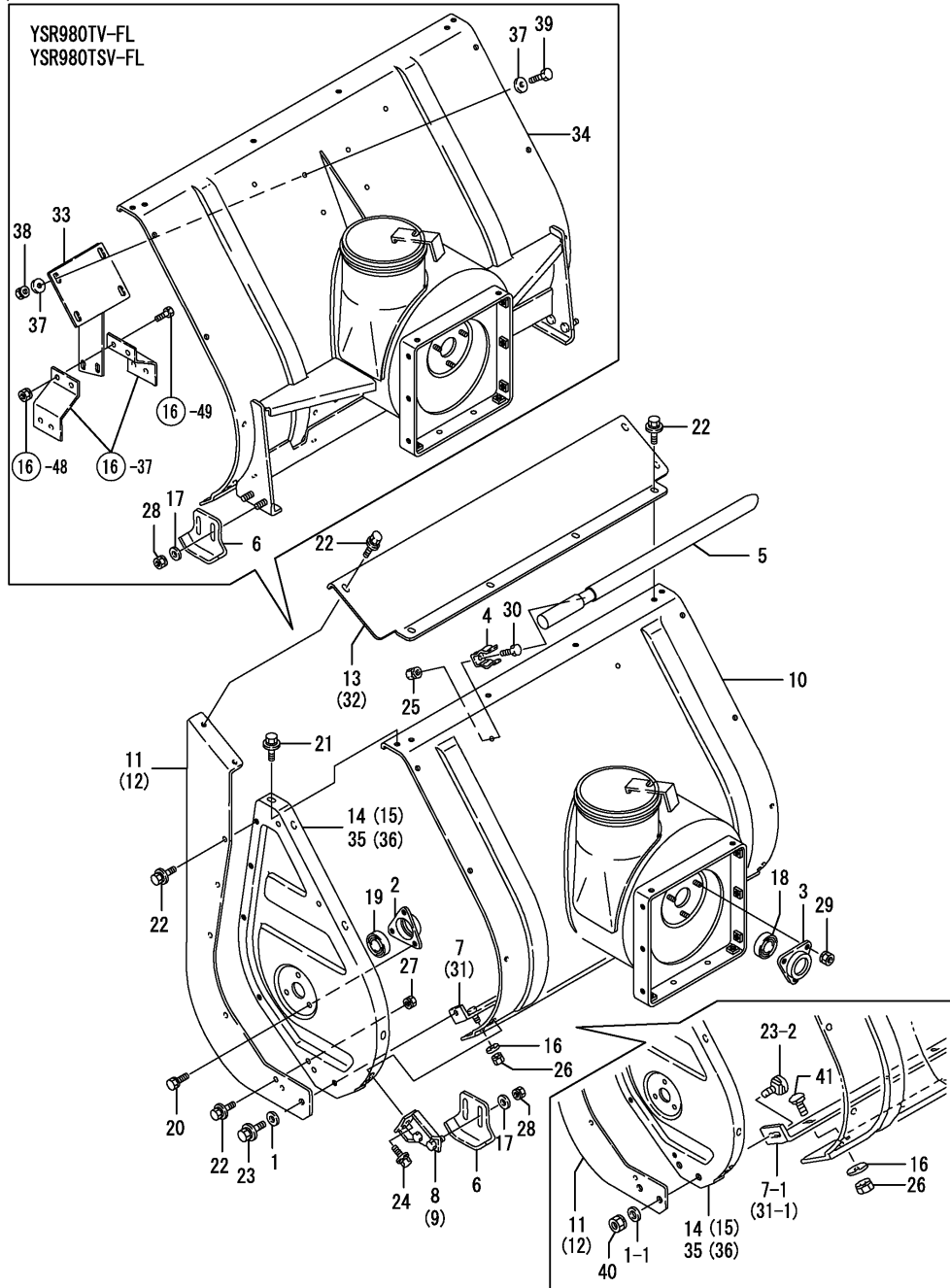


Fig.14. SNOW REMOVING FRAME



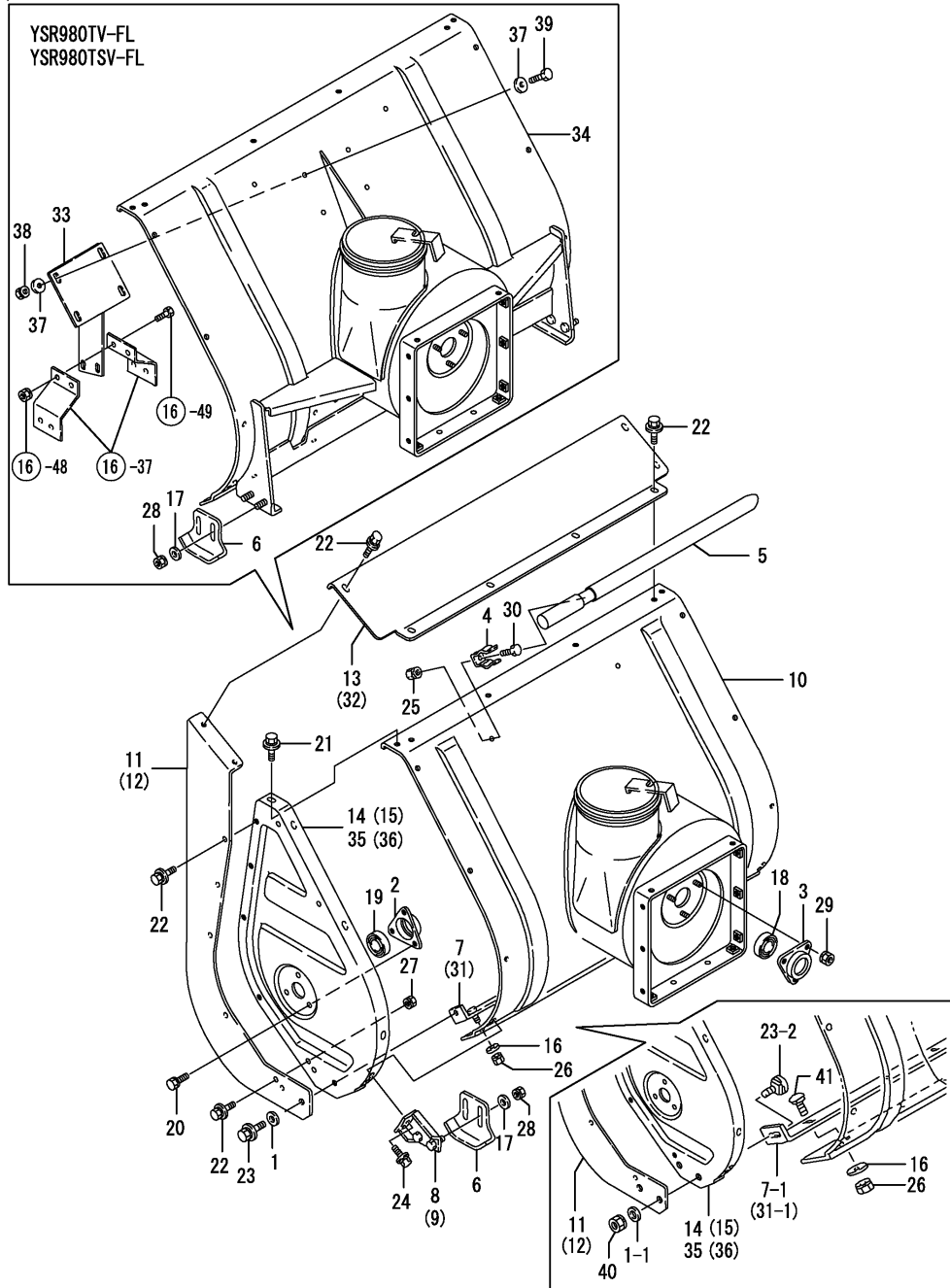
(A)=YSR980TV
(B)=YSR980TSV
(C)=YSR980TV-FL

(D)=YSR980TSV-FL
(E)=
(F)=

REF.	LEV.	PARTS NO.	DESCRIPTION	Q'TY						I	R
				(A)	(B)	(C)	(D)	(E)	(F)		
1	1	1J3999-02010	WASHER 6	2	2	2	2				
I 1-1	1	22137-080000	WASHER 8, POLISHED	2	2	2	2				S
		(A=F010364) (B=F010628) (C=F010201) (D=F010131)									
2	1	1N1570-38200	BEARING 6203C	2	2	2	2				
3	1	1N1570-38210	BEARING 6203B	1	1	1	1				
4	1	1N1710-71060	METAL,LOCK	2	2						
4-1	1	1N1710-71061	STOPPER	2	2	2	2				N
		(A=F010062) (B=F010267)									
I 4-2	1	1N1710-71062	STOPPER	2	2	2	2				N
		(A=FXXXXXXX) (B=FXXXXXXX) (C=FXXXXXXX) (D=FXXXXXXX)									
5	1	1N1710-71071	ROD,SNOW SHOVELING	1	1	1	1				
6	1	1N1711-71100	GUIDE	2	2	2	2				
7	1	1N1720-71130	PLATE,BOTTOM	1	1						
I 7-1	1	1N1723-71300	PLATE,BOTTOM(650)	1	1						S
		(A=F010364) (B=F010628)									
I 7-2	1	1N1723-71301	PLATE,BOTTOM(650)	1	1						N
		(A=F010499) (B=F010703)									
8	1	1N1570-71200	FITTINGS L,GUIDE	1	1						
9	1	1N1570-71230	FITTINGS R,GUIDE	1	1						
10	1	1N1723-71500	CASE COMP.,AUGER	1	1						
11	1	1N1720-82002	COVER L COMP.,AUX.	1	1	1	1				
12	1	1N1720-82022	COVER R COMP.,AUX.	1	1	1	1				
13	1	1N1720-82040	SUB AUGER COVER	1	1						
14	1	1N1720-82221	PLATE L CMP,AUGER SD	1	1						
15	1	7N1723-82240	PL.AS.,AUGER SD.PL.R	1	1						
16	1	22137-060000	WASHER 6, POLISHED	5	5	5	5				
17	1	22137-080000	WASHER 8, POLISHED	4	4	4	4				
18	1	24104-062034	BALL BEARING	1	1	1	1				
19	1	24104-062034	BALL BEARING	2	2	2	2				
20	1	26016-080164	BOLT M 8X 16	6	6	6	6				
21	1	26018-060124	BOLT M 6X 12	8	8	12	12				
22	1	26018-060124	BOLT M 6X 12	18	18	18	18				
23	1	26018-060124	BOLT M 6X 12	2	2						
23-1	1	26016-060164	BOLT 6X16 W/L.W.	2	2	2	2				N
		(A=F010001) (B=F010121)									
I 23-2	1	26487-080202	BOLT 8*20	2	2	2	2				S
		(A=F010364) (B=F010628) (C=F010201) (D=F010131)									
I 23-3	1	1N3020-71320	BOLT, 8X20	2	2	2	2				N
		(A=F010364) (B=F010628) (C=F010201) (D=F010131)									
24	1	26018-060164	BOLT M 6X 16	4	4						
25	1	26051-060002	NUT M 6	2	2	2	2				
26	1	26051-060002	NUT M 6	5	5	5	5				
27	1	26051-060002	NUT M 6	2	2	2	2				
28	1	26051-080002	NUT M 8	4	4	4	4				
29	1	26051-080002	NUT M 8	3	3	3	3				
30	1	26117-060122	BOLT M 6X 12 PLATED	2	2	2	2				
31	1	1N1960-71000	PLATE,BOTTOM			1	1				
I 31-1	1	1N3020-71300	PLATE,BOTTOM 800			1	1				S
		(C=F010201) (D=F010131)									
I 31-2	1	1N3020-71301	PLATE,BOTTOM(800)			1	1				N
		(C=F010281) (D=F010201)									

N:Old $\begin{matrix} \text{Yes} \\ \text{No} \end{matrix}$ New, Q:Old $\begin{matrix} \text{No} \\ \text{Yes} \end{matrix}$ New, R:Old $\begin{matrix} \text{Yes} \\ \text{No} \end{matrix}$ New, S:Old $\begin{matrix} \text{No} \\ \text{Yes} \end{matrix}$ New, W:Add, Z:Discontinued, F:Interchangeable by set, K:Q'ty Change
 ++ CONTINUE ++
 (C)Copy Rights YANMAR CO.,LTD.

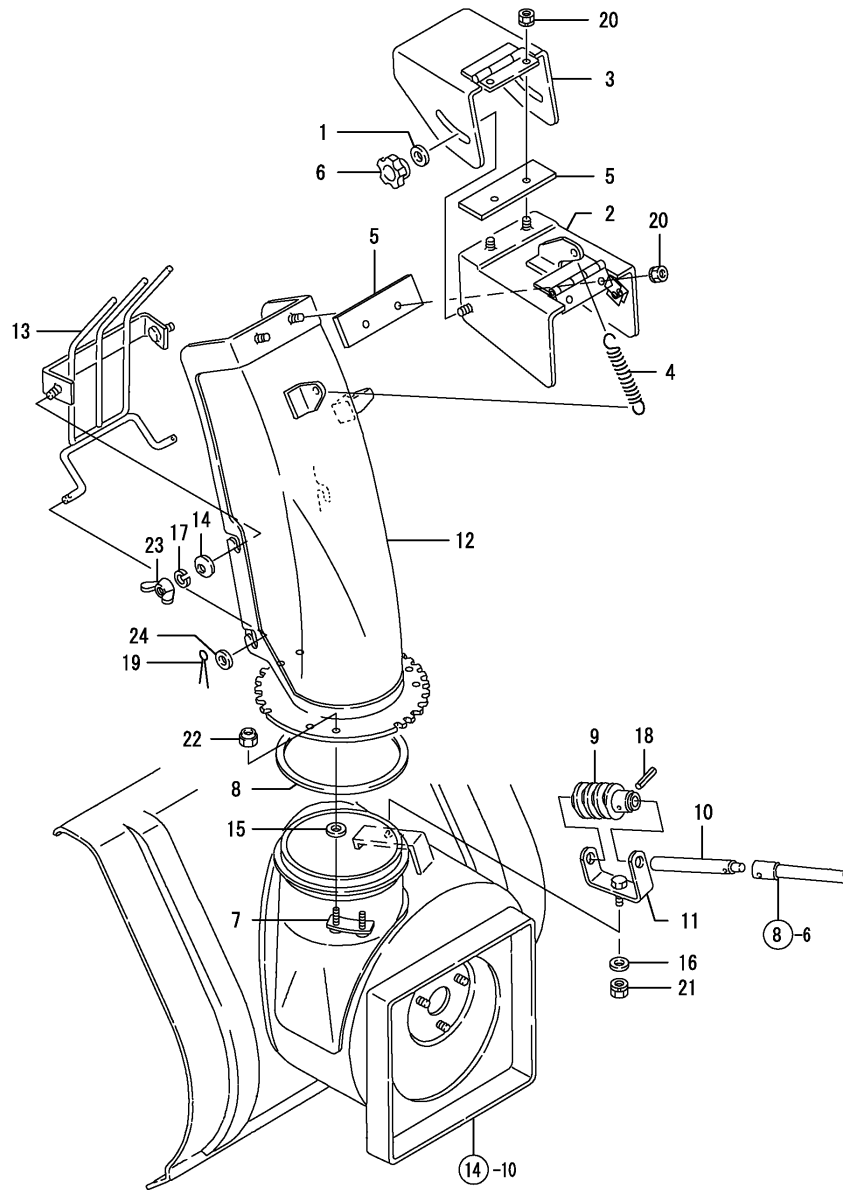
Fig.14. SNOW REMOVING FRAME



(A)=YSR980TV (D)=YSR980TSV-FL
 (B)=YSR980TSV (E)=
 (C)=YSR980TV-FL (F)=

REF.	LEV.	PARTS NO.	DESCRIPTION	QTY						I	R	
				(A)	(B)	(C)	(D)	(E)	(F)			
32	1	1N1960-71030	COVER,UPPER AUX.			1	1					
33	1	1N3020-71400	FIXTURE B,GEAR CASE			1	1					
34	1	1N3020-71500	CASE E COMP.,AUGER			1	1					
35	1	1N1960-71551	PLATE L CMP,AUGER SD			1	1					
36	1	7N3020-71560	PL.AS.,AUGER SD.PL.R			1	1					
37	1	22137-080000	WASHER 8, POLISHED			8	8					
38	1	26051-080002	NUT M 8			4	4					
39	1	26117-080202	BOLT M 8X 20 PLATED			4	4					
I 40	1	26051-080002	NUT M 8			2	2	2	2		W	
I 41	1	26487-060162	BOLT 6X 16	(A=F010364)	(B=F010628)	(C=F010201)	(D=F010131)	5	5	5	5	W
I 41-1	1	1N3300-71320	BOLT	(A=F010364)	(B=F010628)	(C=F010201)	(D=F010131)	5	5	5	5	N

Fig.15. CHUTE

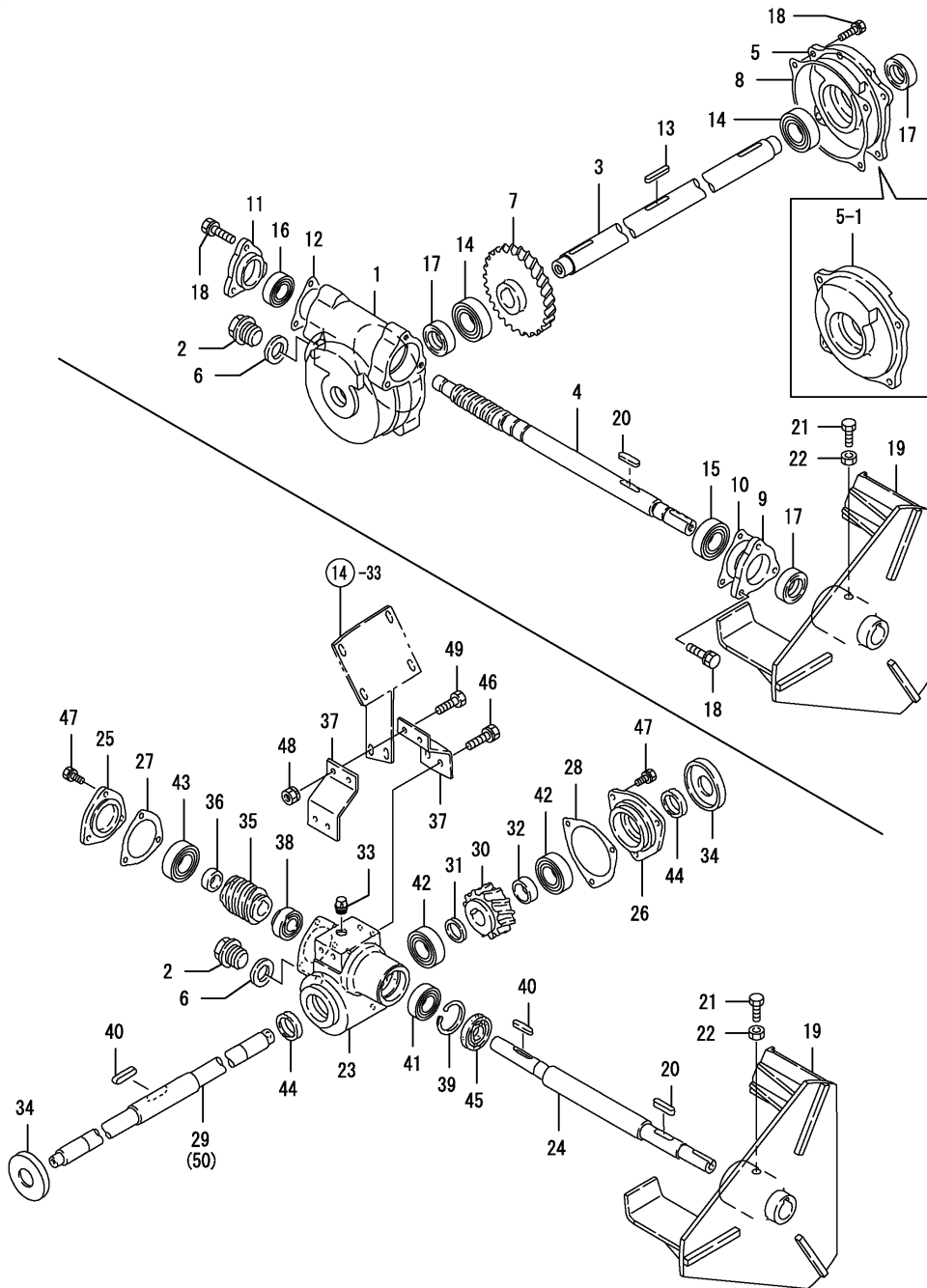


(A)=YSR980TV
(B)=YSR980TSV
(C)=YSR980TV-FL

(D)=YSR980TSV-FL
(E)=
(F)=

REF.	LEV.	PARTS NO.	DESCRIPTION	QTY						I	R
				(A)	(B)	(C)	(D)	(E)	(F)		
1	1	1J3999-02010	WASHER 6	2	2	2	2				
2	1	1N1711-73080	CAP COMP.,CHUTE	1	1						
2-1	1	1N1711-73081	CAP COMP.,CHUTE	1	1	1	1				N
		(A=F010062) (B=F010267)									
3	1	1N1711-73140	CAP COMP.,SUB-CHUTE	1	1	1	1				
4	1	1N1570-73150	SPRING,CHUTE	1	1	1	1				
5	1	1N1711-73170	RUBBER,SNOW PROTECT.	2	2	2	2				
6	1	1N1711-73200	NUT,THUMB	2	2	2	2				
7	1	1N1711-73220	METAL,CHUTE LOCK	3	3	3	3				
8	1	1N1711-73280	PLATE,FLOOR	1	1	1	1				
9	1	1N1711-73320	WORM 3.5X3 R	1	1	1	1				
10	1	1N1711-73330	SHAFT,WORM	1	1	1	1				
11	1	1N1711-73350	SEAT,WORM BASE	1	1	1	1				
12	1	7N1723-73500	PL.ASSY.,CHUTE COMP.	1	1	1	1				
13	1	1N1960-73501	GUARD	1	1						
13-1	1	1N1960-73502	GUARD	1	1	1	1				N
		(A=F010001) (B=F010121)									
14	1	1N1711-73700	WASHER 6,CONICAL SPR	2	2	2	2				
I 14-1	1	22157-060000	WASHER 6	2	2	2	2				N
		(A=F010644) (B=FXXXXXX) (C=F010296) (D=F010221)									
15	1	22117-060000	WASHER 6	6	6	6	6				
16	1	22137-080000	WASHER 8, POLISHED	1	1	1	1				
I 17	1	22217-060000	SPRING WASHER 6	2	2	2	2				Z
		(A=F010644) (B=FXXXXXX) (C=F010296) (D=F010221)									
18	1	22351-060025	SPRING PIN 6X25	1	1	1	1				
19	1	22417-200120	COTTER PIN 2.0X12	2	2	2	2				
20	1	26051-060002	NUT M 6	4	4	4	4				
21	1	26051-080002	NUT M 8	1	1	1	1				
22	1	26347-060002	U-NUT M 6	6	6	6	6				
23	1	26635-060002	WING NUT M 6	2	2	2	2				
I 23-1	1	26051-060002	NUT M 6	2	2	2	2				N
		(A=F010644) (B=FXXXXXX) (C=F010296) (D=F010221)									
24	1	22137-060000	WASHER 6, POLISHED	2	2	2	2				

Fig.16. GEAR CASE



OCNP2-G24500 16. GEAR CASE

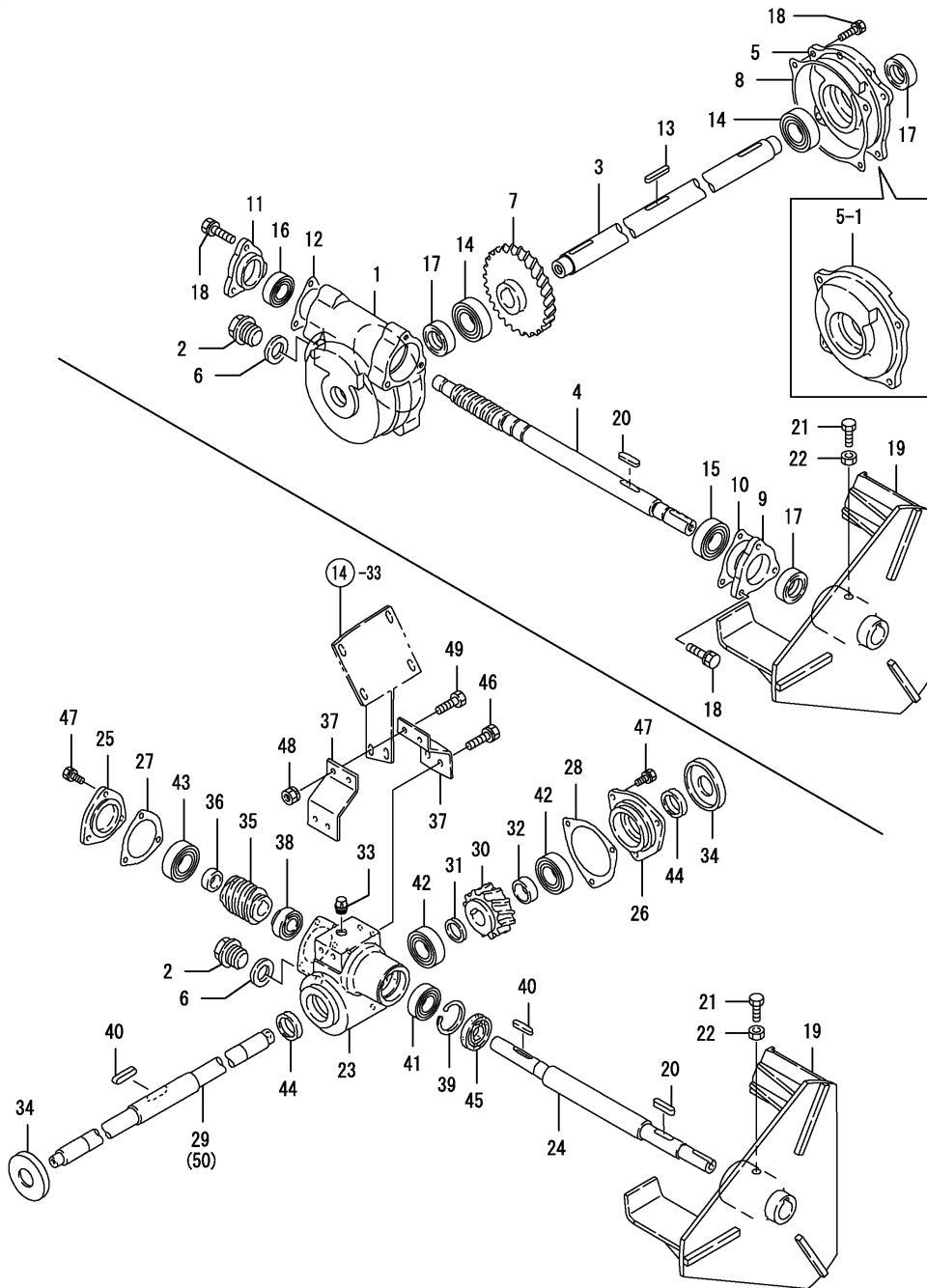
(A)=YSR980TV
(B)=YSR980TSV
(C)=YSR980TV-FL

(D)=YSR980TSV-FL
(E)=
(F)=

REF.	LEV.	PARTS NO.	DESCRIPTION	QTY						I	R
				(A)	(B)	(C)	(D)	(E)	(F)		
1	1	1N1710-74001	CASE,GEAR	1	1						
1-1	1	1N1710-74002	CASE,GEAR	1	1						R
		(A=F010001) (B=F010001)									
I	1-2	1 1N1710-74002	CASE,GEAR	1	1						Z
		(A=F010278) (B=F010561)									
	2	1 1N1711-74000	BOLT,DRAIN	1	1	1	1				
I	3	1 1N1720-74000	SHAFT,AUGER	1	1						Z
		(A=F010278) (B=F010561)									
I	4	1 1N1721-74001	SHAFT,WORM	1	1						Z
		(A=F010278) (B=F010561)									
	5	1 1N1710-74011	COVER C,KEEP	1	1						
	5-1	1 1N1710-74012	COVER C,SNAP-IN	1	1						R
		(A=F010001) (B=F010001)									
I	5-2	1 1N1710-74012	COVER C,SNAP-IN	1	1						Z
		(A=F010278) (B=F010561)									
	6	1 1N1711-74010	PACKING 20X28X2,CU	1	1	1	1				
I	7	1 1N1710-74021	WHEEL,WORM	1	1						Z
		(A=F010278) (B=F010561)									
I	8	1 1N1570-74050	PACKING C	1	1						Z
		(A=F010278) (B=F010561)									
I	9	1 1N1570-74110	COVER A,KEEP	1	1						Z
		(A=F010278) (B=F010561)									
I	10	1 1N1570-74120	PACKING A	1	1						Z
		(A=F010278) (B=F010561)									
I	11	1 1N1570-74130	COVER B,KEEP	1	1						Z
		(A=F010278) (B=F010561)									
I	12	1 1N1570-74140	PACKING B	1	1						Z
		(A=F010278) (B=F010561)									
I	13	1 22512-050300	KEY 5X 30	1	1						Z
		(A=F010278) (B=F010561)									
I	14	1 24101-060044	BALL BEARING #6004	2	2						Z
		(A=F010278) (B=F010561)									
I	15	1 24107-060044	BALL BEARING	1	1						Z
		(A=F010278) (B=F010561)									
I	16	1 24107-062024	BALL BEARING	1	1						Z
		(A=F010278) (B=F010561)									
I	17	1 24421-203508	SEAL, OIL	3	3						Z
		(A=F010278) (B=F010561)									
I	18	1 26016-060204	BOLT M 6X 20	10	10						Z
		(A=F010278) (B=F010561)									
	19	1 1N1721-76000	BLOWER COMPL	1	1						
	19-1	1 1N1721-76001	BLOWER ASSY	1	1	1	1				N
		(A=F010001) (B=F010121)									
	20	1 22512-050300	KEY 5X 30	1	1	1	1				
	21	1 26116-080202	BOLT M 8X 20 PLATED	1	1	1	1				
	22	1 26717-080002	NUT 8	1	1	1	1				
I	23	1 1N1730-74003	CASE,WORM	1	1	1	1				W
		(A=F010278) (B=F010561)									
I	24	1 1N3020-74000	SHAFT,BLOWER	1	1	1	1				W
		(A=F010278) (B=F010561)									
I	25	1 1N1730-74010	COVER,KEEP	1	1	1	1				W

N:Old $\begin{matrix} \text{Yes} \\ \text{No} \end{matrix}$ New, Q:Old $\begin{matrix} \text{No} \\ \text{Yes} \end{matrix}$ New, R:Old $\begin{matrix} \text{Yes} \\ \text{No} \end{matrix}$ New, S:Old $\begin{matrix} \text{No} \\ \text{Yes} \end{matrix}$ New, W:Add, Z:Discontinued, F:Interchangeable by set, K:Q'ty Change
 ++ CONTINUE ++
 (C)Copy Rights YANMAR CO.,LTD.

Fig.16. GEAR CASE



OCNP2-G24500 16. GEAR CASE

(A)=YSR980TV
(B)=YSR980TSV
(C)=YSR980TV-FL

(D)=YSR980TSV-FL
(E)=
(F)=

REF.	LEV.	PARTS NO.	DESCRIPTION	QTY						I	R
				(A)	(B)	(C)	(D)	(E)	(F)		
I 26	1	(A=F010278) 1N1730-74022	BEARING,AUGER	1	1	1	1				W
		(B=F010561) (A=F010278)									
I 27	1	1N1730-74030	PACKING A	1	1	1	1				W
		(A=F010278) (B=F010561)									
I 28	1	1N1730-74040	PACKING B	1	1	1	1				W
		(A=F010278) (B=F010561)									
I 30	1	1N3020-74100	SHAFT,AUGER			1	1				W
		1N1730-74110	WHEEL,WORM	1	1	1	1				W
I 31	1	1N1730-74120	COLLAR 5,AUGER SHAFT	1	1	1	1				W
		(A=F010278) (B=F010561)									
I 32	1	1N1730-74130	COLLAR 13,AUGER SHFT	1	1	1	1				W
		(A=F010278) (B=F010561)									
I 33	1	1N1570-74150	PLUG	1	1	1	1				W
		(A=F010278) (B=F010561)									
I 34	1	1N3020-74200	CAP 58,SEAL	2	2	2	2				W
		(A=F010278) (B=F010561)									
I 35	1	1N1730-74210	WORM 3L2	1	1	1	1				W
		(A=F010278) (B=F010561)									
I 36	1	1N1730-74220	COLLAR,BLOWER SHAFT	1	1	1	1				W
		(A=F010278) (B=F010561)									
I 37	1	1N3020-74250	FIXTURE,GEAR CASE			2	2				W
		1N1730-74300	BEARING,TAPER ROLLE	1	1	1	1				W
I 39	1	22252-000470	CIRCLIP 47(H)	1	1	1	1				W
		(A=F010278) (B=F010561)									
I 40	1	22550-070350	KEY 7X35	2	2	2	2				W
		(A=F010278) (B=F010561)									
I 41	1	24101-060054	BALL BEARING 6005	1	1	1	1				W
		(A=F010278) (B=F010561)									
I 42	1	24101-062054	BEARING #6205	2	2	2	2				W
		(A=F010278) (B=F010561)									
I 43	1	24101-063044	BALL BEARING	1	1	1	1				W
		(A=F010278) (B=F010561)									
I 44	1	24421-253807	SEAL TC25 38 07, OIL	2	2	2	2				W
		(A=F010278) (B=F010561)									
I 45	1	24421-254708	SEAL TC25 47 08, OIL	1	1	1	1				W
		(A=F010278) (B=F010561)									
I 46	1	26016-080164	BOLT M 8X 16			4	4				W
		26016-080204	BOLT M 8X 20	6	6	6	6				W
I 47	1	(A=F010278) (B=F010561)									
I 48	1	26051-080002	NUT M 8			2	2				W
		26117-080202	BOLT M 8X 20 PLATED			2	2				W
I 50	1	1N1723-74800	SHAFT, AUGER	1	1						W
		(A=F010278) (B=F010561)									

Fig.17. AUGER

(A)=YSR980TV
(B)=YSR980TSV
(C)=YSR980TV-FL

(D)=YSR980TSV-FL
(E)=
(F)=

REF.	LEV.	PARTS NO.	DESCRIPTION	Q'TY						I	R
				(A)	(B)	(C)	(D)	(E)	(F)		
1	1	1N1720-75001	AUGER L	1	1						
I	1-1	1N1720-75002	AUGER L	1	1						N
		(A=F010278) (B=F010561)									
2	1	1N1710-75041	FLANGE R	1	1	1	1				
3	1	1N1720-75101	AUGER R	1	1						
I	3-1	1N1720-75102	AUGER R	1	1						N
		(A=F010278) (B=F010561)									
4	1	1N1570-75151	FLANGE L	1	1	1	1				
5	1	22157-080000	WASHER 8	2	2	2	2				
6	1	22217-080000	SPRING WASHER 8	2	2	2	2				
7	1	22512-050300	KEY 5X 30	2	2	2	2				
8	1	26116-060202	BOLT M 6X 20	2	2	2	2				
9	1	26116-080162	BOLT 8X16	2	2	2	2				
10	1	26116-080252	BOLT M 8X 25 PLATED	2	2	2	2				
11	1	26347-060002	U-NUT M 6	2	2	2	2				
12	1	26717-080002	NUT 8	2	2	2	2				
13	1	1N1960-75000	AUGER L			1	1				
14	1	1N1960-75020	AUGER R			1	1				

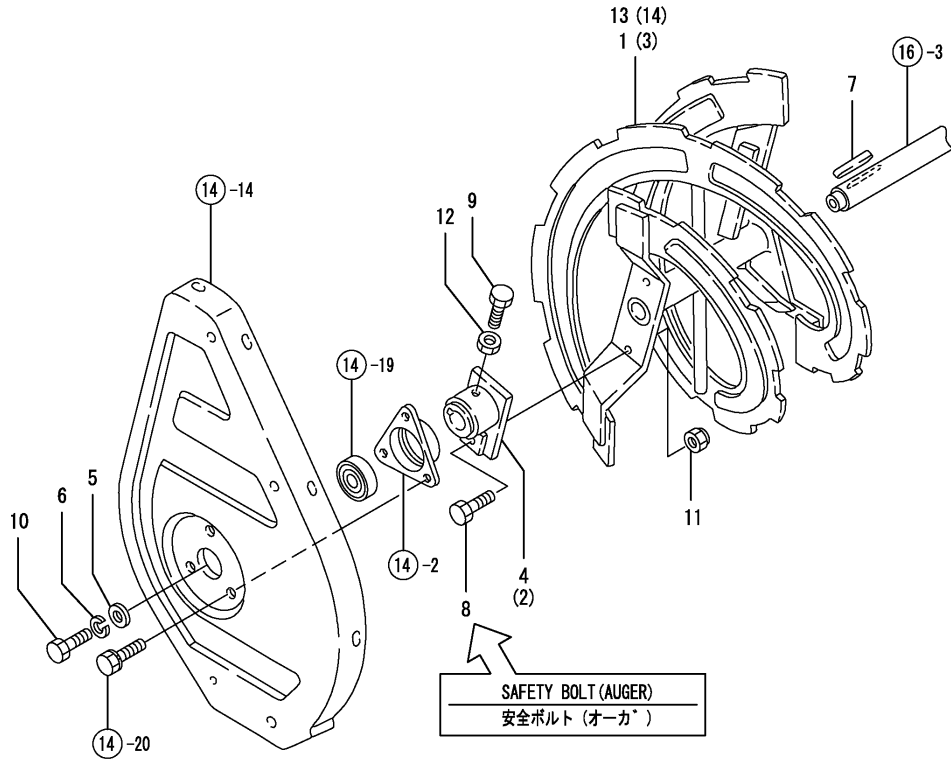
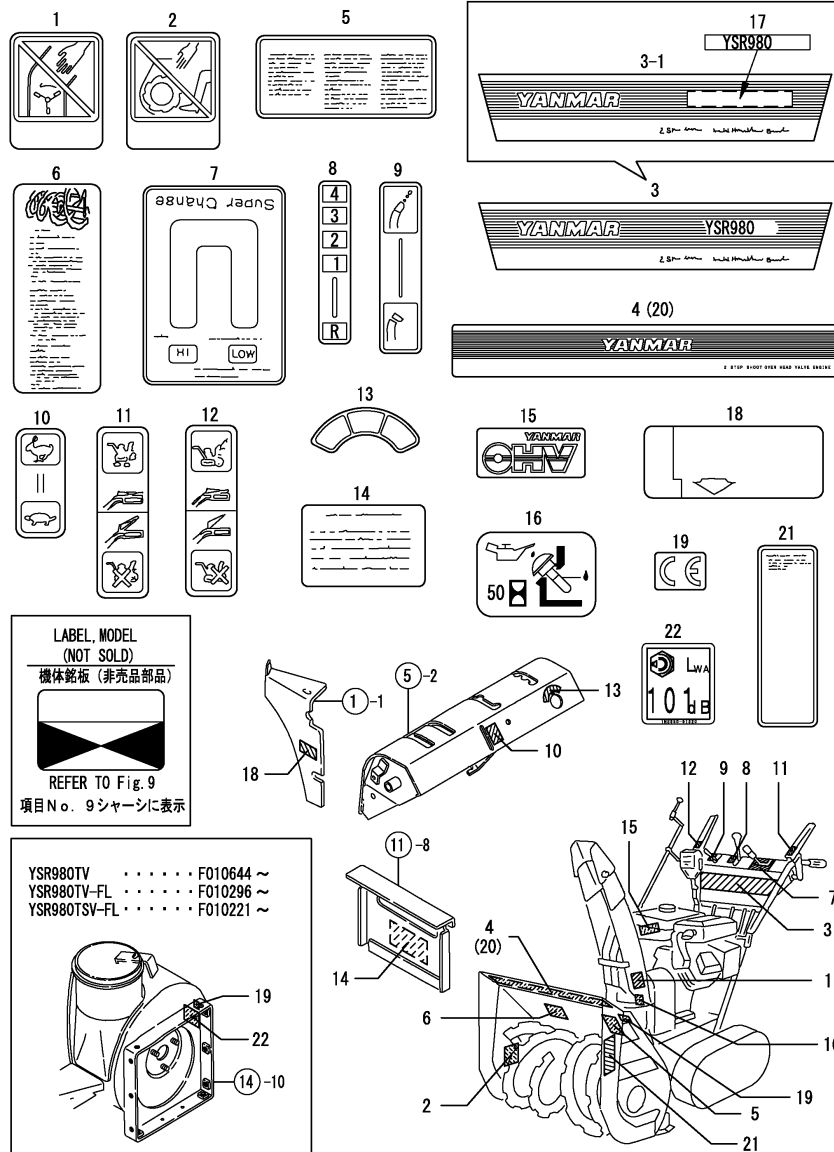


Fig.18. MARKS

(A)=YSR980TV
(B)=YSR980TSV
(C)=YSR980TV-FL

(D)=YSR980TSV-FL
(E)=
(F)=



REF.	LEV.	PARTS NO.	DESCRIPTION	QTY						I	R
				(A)	(B)	(C)	(D)	(E)	(F)		
1	1	1N1711-68100 (A=F010031) (B=F010210)	MARK,SAFETY CAUTION	1	1						Z
2	1	1N1711-68110 (A=F010031) (B=F010210)	MARK B,SAFETY CAUT'N	1	1						Z
3	1	1N1723-92520	LEBEL,MODEL	1	1						
3-1	1	1N1723-92521 (A=F010001) (B=F010121)	NAMEPLATE,MODEL	1	1	1	1				F 1
4	1	1N1723-92530	MARK "YANMAR"	1	1						
5	1	1N1723-92540	LEBEL,CAUTION	1	1						
6	1	1N1723-92550	LEBEL,BOLT REPLACEM	1	1	1	1				
7	1	1N1723-92560	MARK,HI-LOW SWITCH'G	1	1	1	1				
8	1	1N1723-92570	MARK,CHANGE	1	1	1	1				
9	1	1N1723-92580	MARK,SNOW THROW IND	1	1	1	1				
10	1	1N1723-92590	MARK,ACCELERATOR	1	1	1	1				
11	1	1N1723-92600	MARK,TRAVEL CLUTCH	1	1	1	1				
12	1	1N1723-92610	MARK,SNOW REM.CLUTCH	1	1	1	1				
13	1	1N1723-92620	MARK,SWITCH			1	1				
14	1	1N1723-92630	LABEL,BATTERY CAUT'N			1					
14-1	1	1N1723-92631 (B=F010121)	LABEL,BATTERY CAUT'N			1	1				R
15	1	1N1313-93120	MARK "OHV"	1	1	1	1				
16	1	1N1711-68220	MARK,OIL CHECK	1	1	1	1				
17	1	1N1723-92640 (A=F010001) (B=F010121)	MARK "980"	1	1	1	1				W
18	1	160520-07271 (A=F010001) (B=F010121)	LABEL, DRAIN	1	1						W
18-1	1	160520-07271 (A=F010031) (B=F010210)	LABEL, DRAIN	1	1						Z
19	1	1E1061-86610 (A=F010016) (B=F010190)	MARK "CE"	1	1	1	1				W
20	1	1N3020-92520	MARK "YANMAR"			1	1				
21	1	1N1713-92570	LABEL CAUTION			1	1				
22	1	1N3360-91320 (A=F010644) (C=F010296) (D=F010221)	LABEL,SOUND LEVEL	1	1	1	1				W

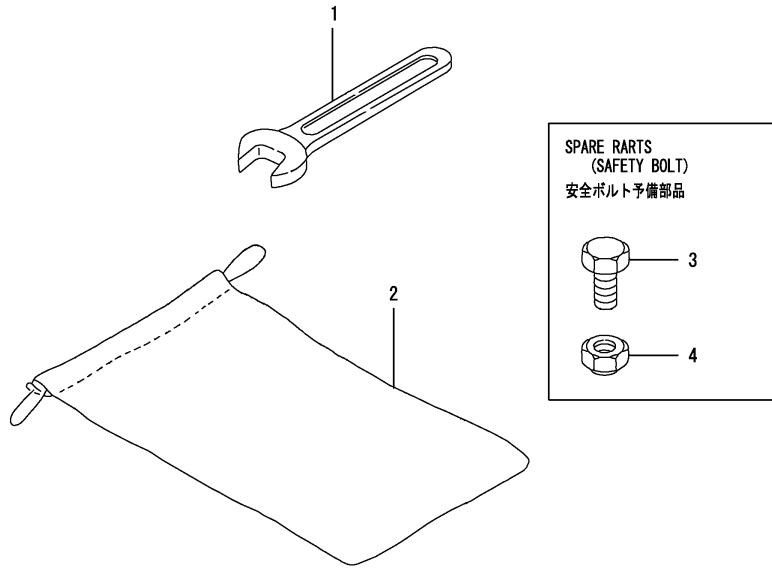
Remarks
* FOR SAFETY LABELS,
REFER TO GROUP NO.20
(1) REF.NO. 3 IS INTERCHABLE WITH
A SET OF REF.NOS. 3-1 & 17.

Fig.19. TOOLS & ACCESSORIES

(A)=YSR980TV
(B)=YSR980TSV
(C)=YSR980TV-FL

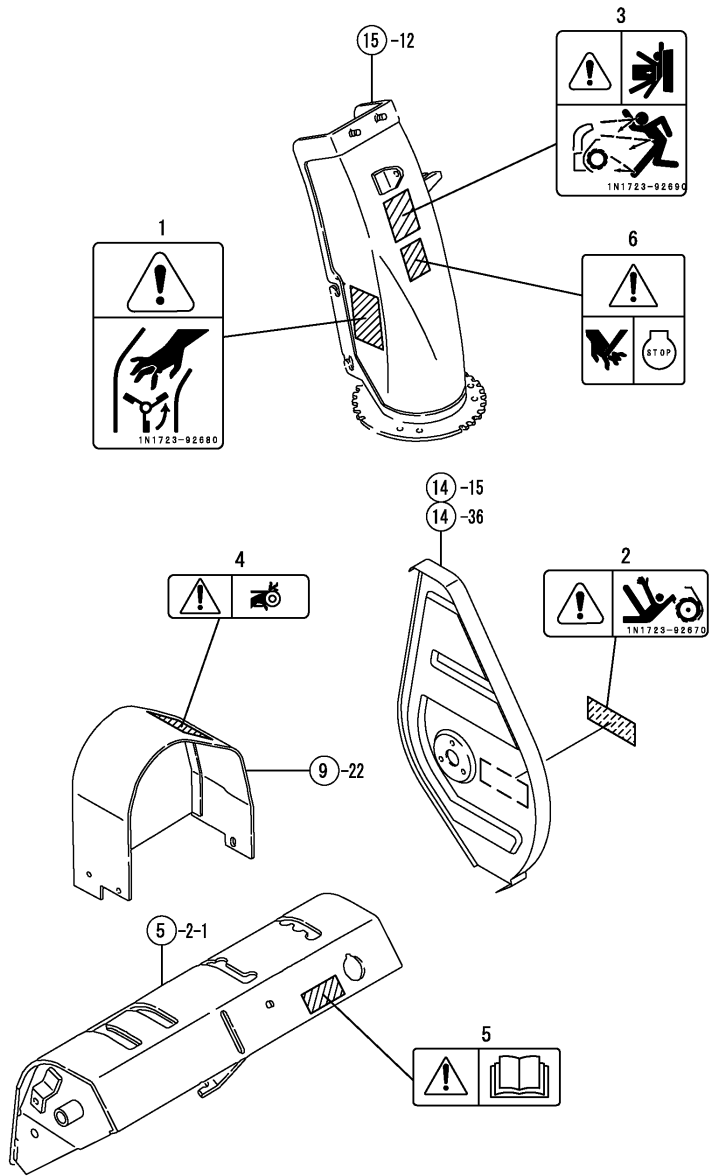
(D)=YSR980TSV-FL
(E)=
(F)=

REF.	LEV.	PARTS NO.	DESCRIPTION	Q'TY						I	R
				(A)	(B)	(C)	(D)	(E)	(F)		
1	1	1N1713-95000	WRENCH 10,SNGL.-END.	1	1						
1-1	1	28110-100000	WRENCH	1	1	1	1				R
		(A=F010001)	(B=F010001)								
2	1	1F1150-92000	BAG,TOOL	1	1	1	1				
3	1	26116-060202	BOLT M 6X 20	10	10	10	10				1
4	1	26347-060002	U-NUT M 6	10	10	10	10				1



Remarks
(1) SAFETY BOLT IS A SPARE PART FOR
REF.NO. 8 IN GROUP NO. 17.

Fig.20. LABELS(SAFETY(ADDNL.ITEM))



0CNP2-G24500 20. LABELS(SAFETY(ADDNL.ITEM))

(A)=YSR980TV
(B)=YSR980TSV
(C)=YSR980TV-FL

(D)=YSR980TSV-FL
(E)=
(F)=

REF.	LEV.	PARTS NO.	DESCRIPTION	Q'TY						I	R
				(A)	(B)	(C)	(D)	(E)	(F)		
1	1	1N1723-92680 (A=F010031)	WARNING,SHOOTER (B=F010210)	1	1	1	1				W
2	1	1N1723-92670 (A=F010031)	DANGER,SNW.REMV.UNIT (B=F010210)	1	1	1	1				W
3	1	1N1723-92690 (A=F010031)	WARNING,SCATTERINGS (B=F010210)	1	1	1	1				W
4	1	1W4909-92310 (A=F010031)	CAUTION,BELT,COVWR (B=F010210)	1	1	1	1				W
5	1	1W4909-92350 (A=F010031)	LABEL (B=F010210)	1	1	1	1				W
6	1	1W4909-92360 (A=F010031)	CAUTION,ENGINE,STOP (B=F010210)	1	1	1	1				W

Part Number Index

All parts are stipulated in the order of part numbers.

(Depending on the area in which the part is used.)

This index will display the location of the part according to each part number.

PARTS No. INDEX

PARTS No.	Fig.	Ref.No.
160520-07271	18	18
		18 -1
1A1040-58160	7	9
1A1140-58050	8	12
1E1061-86610	18	19
1E5000-53430	6	24
1E6102-84970	6	26
	12	11
		11 -1
	13	5
1E6460-83400	1	19
	6	25
	8	15
	12	13
1F1150-92000	19	2
1J3000-20020	10	2
1J3192-40550	2	15
1J3940-14250	3	11 -1
1J3999-00250	6	51
1J3999-00260	6	1
1J3999-01050	6	2
1J3999-01090	9	6 -1
1J3999-02010	1	29
	11	1
	14	1
	15	1
1J3999-02020	10	1
		16 -1
1J3999-02050	10	1 -1
		1 -2
		16 -2
		16 -3
1J3999-02110	6	3
1J3999-02130	8	1
1J3999-05010	6	24 -1
1J3999-06000	6	4
1N1313-93120	18	15
1N1570-12200	2	5
1N1570-12280	2	10
1N1570-12350	2	12
1N1570-21070	4	9
1N1570-21090	4	11
1N1570-21100	4	13
1N1570-21170	4	14
1N1570-21200	4	15
1N1570-21300	4	18
1N1570-21600	4	20
1N1570-32290	7	6
1N1570-32320	7	7
1N1570-32950	7	8

PARTS No.	Fig.	Ref.No.
1N1570-36351	9	4
1N1570-38000	10	3
1N1570-38010	10	5
1N1570-38020	10	6
1N1570-38030	10	8
1N1570-38050	10	10
1N1570-38090	10	11
1N1570-38130	10	12
1N1570-38150	10	13
1N1570-38151	10	13 -1
1N1570-38180	10	14
1N1570-38200	14	2
1N1570-38210	10	15
	14	3
1N1570-51130	1	18
1N1570-71200	14	8
1N1570-71230	14	9
1N1570-73150	15	4
1N1570-73260	8	14
1N1570-74050	16	8
1N1570-74110	16	9
1N1570-74120	16	10
1N1570-74130	16	11
1N1570-74140	16	12
1N1570-74150	16	33
1N1570-75151	17	4
1N1710-12240	2	9
1N1710-12241	2	9 -1
1N1710-12400	2	14
1N1710-21001	4	1
1N1710-21010	4	4
1N1710-21022	4	6
1N1710-21023	4	6 -1
1N1710-21024	4	6 -2
1N1710-21320	4	19
1N1710-32180	12	1
1N1710-32600	1	6
1N1710-36370	9	1 -1
1N1710-38000	10	4
1N1710-38020	10	7
1N1710-38040	10	9
1N1710-51520	12	6
1N1710-71060	14	4
1N1710-71061	14	4 -1
1N1710-71062	14	4 -2
1N1710-71071	14	5
1N1710-74001	16	1
1N1710-74002	16	1 -1
		1 -2
1N1710-74011	16	5

PARTS No.	Fig.	Ref.No.
1N1710-74012	16	5 -1
		5 -2
1N1710-74021	16	7
1N1710-75041	17	2
1N1710-82140	5	7
1N1711-12020	3	2
1N1711-12030	3	3
1N1711-12200	2	6
1N1711-12230	2	8
1N1711-12231	2	8 -1
1N1711-12280	2	11
1N1711-12560	3	7
1N1711-13200	3	9
1N1711-13201	3	9 -1
1N1711-32330	1	17
1N1711-36090	9	21
1N1711-36110	9	10
1N1711-51240	12	3
1N1711-51250	12	2
1N1711-51390	13	1
1N1711-51770	12	9
1N1711-51850	13	2
1N1711-51860	13	3
1N1711-68100	18	1
1N1711-68110	18	2
1N1711-68220	18	16
1N1711-71100	14	6
1N1711-73080	15	2
1N1711-73081	15	2 -1
1N1711-73140	15	3
1N1711-73170	15	5
1N1711-73200	15	6
1N1711-73220	15	7
1N1711-73280	15	8
1N1711-73320	15	9
1N1711-73330	15	10
1N1711-73350	15	11
1N1711-73700	15	14
1N1711-74000	16	2
1N1711-74010	16	6
1N1713-31010	6	6
1N1713-92570	18	21
1N1713-95000	19	1
1N1720-12071	2	2
1N1720-21000	4	2
1N1720-21020	4	7
1N1720-21062	4	8
1N1720-21071	4	10
1N1720-21090	4	12
1N1720-21211	4	16

PARTS No.	Fig.	Ref.No.
1N1720-21231	4	17
1N1720-36100	9	9
1N1720-36120	9	12
1N1720-36221	9	14
1N1720-36250	9	2
1N1720-36302	9	3
1N1720-51210	11	3
1N1720-51222	11	5
1N1720-51233	11	6
1N1720-51550	11	4
1N1720-71130	14	7
1N1720-74000	16	3
1N1720-75001	17	1
1N1720-75002	17	1 -1
1N1720-75101	17	3
1N1720-75102	17	3 -1
1N1720-82002	14	11
1N1720-82022	14	12
1N1720-82040	14	13
1N1720-82221	14	14
1N1721-12051	2	1
1N1721-12080	2	3
1N1721-12112	2	4
1N1721-12220	2	7
1N1721-12221	2	7 -1
1N1721-12350	3	5
1N1721-12360	2	13
1N1721-12401	3	6
1N1721-13181	3	8
1N1721-21001	4	3
1N1721-21010	4	5
1N1721-35001	5	8 -1
1N1721-35040	5	5 -2
1N1721-35070	5	3 -2
1N1721-35500	5	8
1N1721-36001	9	7
1N1721-36002	9	7 -1
1N1721-36070	9	8
1N1721-36111	9	11
1N1721-36121	9	13
1N1721-51031	11	2
1N1721-51130	11	9
1N1721-51160	11	8
1N1721-51161	11	8 -1
1N1721-51162	11	8 -2
1N1721-51190	11	10
1N1721-51191	11	10 -1
1N1721-52470	13	4
1N1721-52471	13	4 -1
1N1721-74001	16	4

PARTS No. INDEX

PARTS No.	Fig.	Ref.No.
1N1721-76000	16	19
1N1721-76001	16	19 -1
1N1723-00060	1	1
1N1723-00061	1	1 -1
1N1723-00200	1	2
1N1723-00201	1	2 -1
1N1723-00280	1	33
1N1723-00300	1	3
1N1723-00301	1	3 -1
1N1723-00330	1	4
1N1723-00331	1	4 -1
1N1723-00350	1	5
1N1723-01000	1	10
1N1723-02000	1	15
1N1723-02001	1	15 -1
1N1723-02010	1	16
1N1723-02020	1	24 -1
1N1723-12000	3	1
1N1723-12030	3	4
1N1723-12400	3	26
1N1723-30500	5	1
1N1723-30501	5	1 -1
1N1723-30510	5	2
1N1723-30640	5	3
1N1723-30641	5	3 -1
1N1723-30660	5	4
1N1723-30670	5	5
1N1723-30671	5	5 -1
1N1723-30680	5	6
1N1723-31010	6	7
1N1723-31011	6	7 -1
1N1723-31040	6	8
1N1723-31050	6	9
1N1723-31110	6	10
1N1723-31150	6	11
1N1723-31160	6	12
1N1723-31230	6	13
1N1723-31231	6	13 -1
1N1723-31250	6	14
1N1723-31251	6	14 -1
1N1723-31270	6	15
1N1723-31300	6	49
1N1723-31310	6	50
1N1723-31350	6	5
1N1723-31360	6	20
1N1723-31370	6	16
1N1723-31371	6	16 -1
1N1723-31380	6	17
1N1723-31390	6	18
1N1723-31410	6	19

PARTS No.	Fig.	Ref.No.
1N1723-31500	6	21
1N1723-31501	6	21 -1
1N1723-31510	6	22
1N1723-31520	6	23
1N1723-32000	7	1
1N1723-32001	7	1 -1
1N1723-32002	7	1 -2
1N1723-32003	7	1 -3
1N1723-32010	7	2
1N1723-32030	7	3
1N1723-32031	7	3 -1
1N1723-32060	7	4
1N1723-32070	7	2 -1
1N1723-32080	7	5
1N1723-34000	8	2
1N1723-34010	8	3
1N1723-34020	8	4
1N1723-34050	8	5
1N1723-34051	8	5 -1
1N1723-34080	8	6
1N1723-34081	8	6 -1
1N1723-34100	8	7
1N1723-34110	8	8
1N1723-34111	8	8 -1
1N1723-34140	8	9
1N1723-34141	8	9 -1
1N1723-34150	8	10
1N1723-34160	8	11
1N1723-34170	8	29
1N1723-35000	9	1
1N1723-38500	10	3 -1
1N1723-51000	11	7
1N1723-51001	11	7 -1
1N1723-51500	12	4
1N1723-51510	12	5
1N1723-51511	12	5 -1
1N1723-51520	12	7
1N1723-51530	12	8
1N1723-51531	12	8 -1
1N1723-51560	11	3 -1
1N1723-51561	11	3 -2
1N1723-53500	12	10
1N1723-71300	14	7 -1
1N1723-71301	14	7 -2
1N1723-71500	14	10
1N1723-74800	16	50
1N1723-92520	18	3
1N1723-92521	18	3 -1
1N1723-92530	18	4
1N1723-92540	18	5

PARTS No.	Fig.	Ref.No.
1N1723-92550	18	6
1N1723-92560	18	7
1N1723-92570	18	8
1N1723-92580	18	9
1N1723-92590	18	10
1N1723-92600	18	11
1N1723-92610	18	12
1N1723-92620	18	13
1N1723-92630	18	14
1N1723-92631	18	14 -1
1N1723-92640	18	17
1N1723-92670	20	2
1N1723-92680	20	1
1N1723-92690	20	3
1N1730-74003	16	23
1N1730-74010	16	25
1N1730-74022	16	26
1N1730-74030	16	27
1N1730-74040	16	28
1N1730-74110	16	30
1N1730-74120	16	31
1N1730-74130	16	32
1N1730-74210	16	35
1N1730-74220	16	36
1N1730-74300	16	38
1N1960-71000	14	31
1N1960-71030	14	32
1N1960-71551	14	35
1N1960-73501	15	13
1N1960-73502	15	13 -1
1N1960-75000	17	13
1N1960-75020	17	14
1N3020-12050	3	17 -1
1N3020-71300	14	31 -1
1N3020-71301	14	31 -2
1N3020-71320	14	23 -3
1N3020-71400	14	33
1N3020-71500	14	34
1N3020-74000	16	24
1N3020-74100	16	29
1N3020-74200	16	34
1N3020-74250	16	37
1N3020-92520	18	20
1N3021-38600	10	5 -1
1N3300-00050	1	42
1N3300-71320	14	41 -1
1N3360-91320	18	22
1S6002-61160	7	10
1S6240-63810	8	13
1W4909-92310	20	4

PARTS No.	Fig.	Ref.No.
1W4909-92350	20	5
1W4909-92360	20	6
7N1723-30510	5	2 -1
7N1723-30511	5	2 -2
7N1723-37000	9	22
7N1723-37050	9	22 -1
7N1723-73500	15	12
7N1723-82240	14	15
7N3020-71560	14	36



YANMAR CO.,LTD.